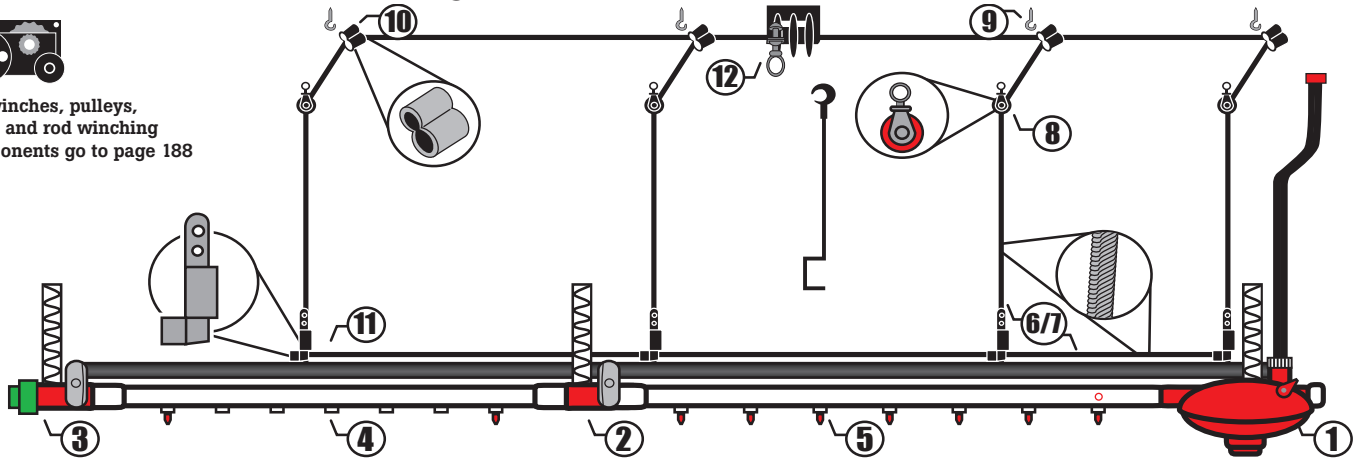


Cumberland Drinker Systems

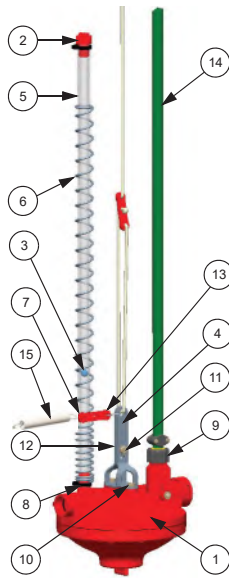


For winches, pulleys, cable and rod winching components go to page 188



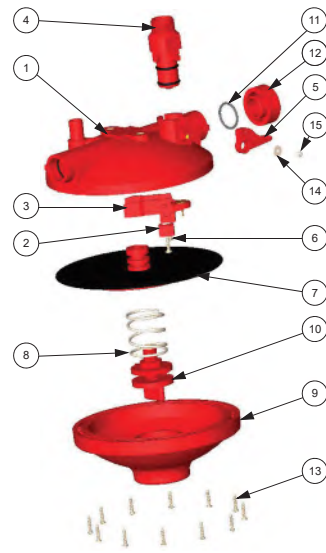
- | | | |
|--|--|---|
| <p>1. Regulator
#GCW-3030..... Assembly w/Accessories</p>  | <p>2. Riser Vent Assembly
#GCW-9510..... Midline Air Vent</p>  | <p>3. Flush End Assembly
#GCW-9500..... Flush End Assembly</p>  |
| <p>Replacement Pipe only, 10'
#GCW-6000-8J..... 8" OC, J-Lock
#GCW-6000-8T..... 8" OC, Twin-Lock
#GCW-6000-10J..... 10" OC, J-Lock
#GCW-6000-10T..... 10" OC, Twin-Lock
#GCW-6000-12..... 12" OC, J-Lock
#GCW-5030..... 10.4 ft. galv. support pipe</p>  | <p>5. Cumberland Nipples
#GCW-10233..... J-Lock Purple Cap
#GCW-10233T..... Twin-Lock Purple Cap
#GCW-9440..... J-Lock Orange Pin Dual Stage Hi Flow</p>  | <p>6. & 7. Cable
#52260..... 1/16" cable
#61726..... 1/8" cable
#HSH052 1/16" adjustable cable clamp for shocker wire</p>  |
| <p>8. Pulley
#HSH004..... Nylon swivel pulley 1-7/8"</p>  | <p>9. Cup Hook
#60665..... 1/4" cup hook</p>  | <p>10. Aluminum Sleeve
#52284..... 1/8" aluminum sleeve</p>  |
| <p>11. Cable & Cord Adjusters
1) #HB1002..... Cable lock
2) #617315..... Cable adjuster
3) #HSCA-1..... Cord adjuster
4) #HSCA-3..... Heavy Duty Cord Adjuster
5) #HSH019..... Flat Cable Adjuster</p>  | <p>12. Winch
#HSW01..... Split Reel Worm Gear 2000 lb.
#HSW02..... Single Reel Worm Gear 2000 lb.</p>  | <p>Aluminum Support Pipe Clamp Assembly
#GCW-9178..... Clamp Assembly</p>  |
| <p>Folding Hanger
#GCW-10008..... Hanger Folding</p>  | <p>Shut Off Assembly
#GCW-5065..... Shut Off Assembly</p>  | <p>Connector Assembly
#GCW-5020..... Connector Assembly</p>  |
| <p>Hanger Clip for Aluminum Support
#GCW-9227..... Hanger Clip</p>  | <p>Wrench for Nipple
#GCW-2064..... Wrench for Nipple</p>  | <p>Float Ball
#600-015..... Float Ball</p>  |

**Cumberland
GCW-3030
Regulator w/
Accessories**



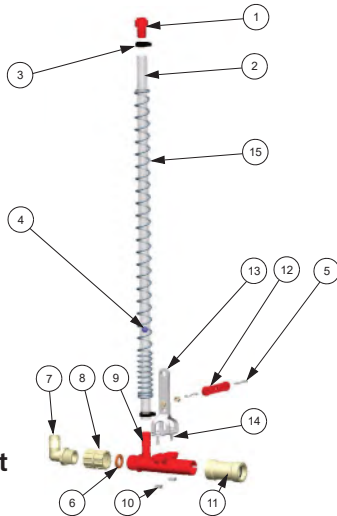
- 1) #GCW-3025.....Regulator
- 2) #GCW-10050.....Flush Cap Assembly
- 3) #600-015.....Float Ball
- 4) #GCW-3019.....Mount Bracket
- 5) #GCW-9051.....Flex Sight Tube 24"
- 6) #GCW-9052.....Spring 22" for Sight Tube
- 7) #HSCA-1.....Cord Adjuster
- 8) #0708878.....Hose Clamp Nylon
- 9) #GCW-10013.....Female Hose Repair 3/4"
- 10) #GS-4614.....Bolt HHCS 1/4"-20 x 1/2" SS
- 11) #GS-7359.....Bolt HHCS 1/4"-20 x 1" SS
- 12) #GS-7307.....Nut Nylock 1/4"-20 SS
- 13) #GS-9244.....S-Hook #1
- 14) #GCW-2032.....Garden Hose (Sold Separately)
- 15) #GCW-5031.....Spring 3" OALx.418 OD

**Cumberland
GCW-3025
Regulator
Assembly**



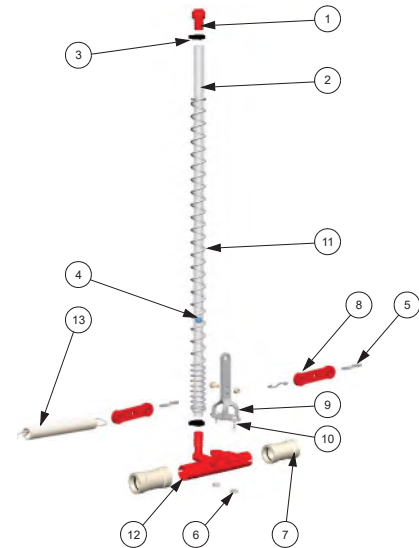
- 1) #GCW-3023.....Top Assembly
- 2) #GCW-3011.....Internal Plunger Retainer
- 3) #GCW-3028.....Internal Plunger
- 4) #GCW-3024.....Inlet Assembly
- 5) #GCW-3014R1.....Flush Lever
- 6) #GS-7656.....Screw SMSAB #12 x 3/4" PHP SS
- 7) #GCW-3026.....Diaphragm Assembly
- 7) #GCW-3001.....Diaphragm (Only)
- 8) #GCW-3003.....Pressure Spring
- 9) #GCW-3005.....Bottom
- 10) #GCW-3027.....Adjustment Assembly
- 11) #GCW-5027.....Water Line O-Ring
- 12) #GCW-3018.....End Cap
- 13) #GS-8668.....Screw TRS #8 x 1/2" PHP SS
- 14) #GS-9249.....Flat Washer 3.5 mm Wide
- 15) #GS-7662.....Screw MS #6-32 x 1/4" PHP SS

**Cumberland
GCW-9500 End Kit
w/Accessories**



- 1) #GCW-10050.....Flush Cap Assembly
- 2) #GCW-9051.....Flex Sight Tube 24"
- 3) #0708878.....3/4"-7/8" Hose Clamp Nylon
- 4) #600-015.....Float Ball - 7/16" Plastic
- 5) #GS-9244.....S-Hook #1 0.080 x 1-1/16"
- 6) #GCW-5047.....Garden Hose Washer
- 7) #GS-9222.....Elbow 90° PVC 3/4" MPT x 3/4" Barb
- 7) #GCW-10073.....(Optional) 90° Elbow 3/4" MPT x 3/4" Barb
- 8) #G60-0272.....Swivel Adapter FGH x 3/4" FPT
- 9) #GCW-10054.....End Kit Housing
- 10) #GS-8910.....Nut Square 1/4"-20 Plated
- 11) #GCW-5020.....Coupler Assembly
- 12) #HSCA-1.....Cord Adjuster
- 13) #GCW-3019.....Water Line Mounting Bracket
- 14) #GS-8789.....Screw MS 1/4"-20 x 3/4" RHP
- 15) #GCW-9052.....Spring 22" for Sight Tube

**Cumberland
GCW-9510
Air Vent w/
Accessories**



- 1) #GCW-10050.....Flush Cap Assembly
- 2) #GCW-9051.....Flex Sight Tube 24"
- 3) #0708878.....Hose Clamp Nylon
- 4) #600-015.....Float Ball
- 5) #GS-9244.....S-Hook #1 0.080 x 1-1/16"
- 6) #GS-8910.....Nut Square 1/4"-20 Plated
- 7) #GCW-5020.....Coupler Assembly
- 8) #HSCA-1.....Cord Adjuster
- 9) #GCW-3019.....Mounting Bracket
- 10) #GS-8789.....Screw MS 1/4"-20 x 3/4" RHP
- 11) #GCW-9052.....Spring 22" for Sight Tube
- 12) #GCW-10055.....Air Vent Welded Assy
- 13) #GCW-5031.....Spring 3" OAL x 0.418 O.D.

Lubing



Drinker Mini with Plastic Adaptor

#L4060C.....Drinker Mini w/ Plastic Adaptor
 #L4060-SO.... Drinker Mini w/ SS Nipple Adaptor



Snap Cup and Extension

#L4017 Snap Cup and Extension



Regulator

See Parts Diagram page 101
 #L3201-00..... Flush Regulator Kit w/ sight tube
 #L3307-00..... 18" Sight Tube only



Shut-off Midline 22mm

#L302-4-22-01... Shut-off Midline 22mm Pipe Aluminum



Midline Breather

#L302-4-22.... Breather Inline 18" for 22mm Pipe



Shut-off Midline 24"

#L302-6-28-02for 28mm Pipe w/ Flush



Flush Breather Unit

#L4255-6-00Breather Unit w/ 24" standpipe



Shut-off Midline (New Style)

#L302N..... Shut Off Midline New Style



Drinker Pipe

#L109512.....10' drinker pipe w/ 12-4095 nipples w/ rail
 #L109515.....10' drinker pipe w/ 15-4095 nipples w/ rail



Crimping Tool and Expansion Connectors



#L4363

#L4414.....Crimping Tool
 #L4363.....Expansion connectors w/ crimp



#L4204

#L0013900902

Float Assembly

#L4204 Float assembly
 #L0013900902 Ball
 #L0013902525 Pivot Arm Assembly w/o Ball



Float Ball

#L0013701900 Large Red Float Ball, 10 mm
 #L0013701903 Small Red Float Ball, 8 mm



#L4617

#L4612

LitterGard™ Drip Cup

#L4617 Large
 #L4612 Small
 #L4622-01 Littergard 1 Arm Red



Breeder Nipple

• Breeder nipples have straight vertical action.

#L4071 Breeder Nipple



#L286-7RD

#L316-3BR

Crimp Ring

#L316-3BR for L4363
 #L286-7RD for L4367



OptiGROW Broiler Nipple

Low Thread Projection

Less restriction of water flow for better flushing.

Acid-Resistant Material

The special quality and grade of materials used provide the best protection against acid corrosion.

Increased Wall Thickness

Thick walls offer a robust design and better chemical resistance.

Large Body

The large body provides better visibility.

Hygienic Design

The new nipple body helps keep the nipple clean.

Hygienic Surface

The smooth inner surfaces avoid deposits and provide minimal friction for easier triggering.

Large Diameter Pin

The large diameter of the pin holds a large water drop.

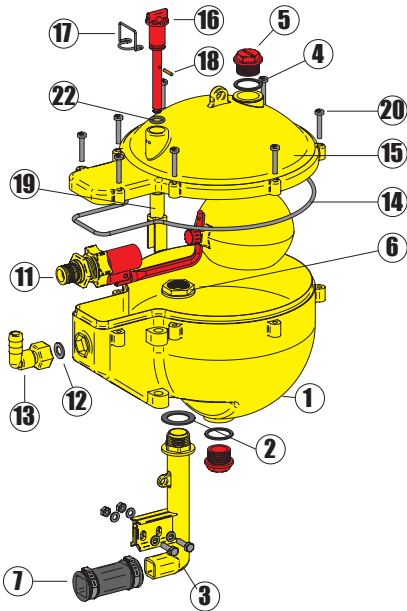
Adapter Area

Accessories can be directly attached to the nipple body.

Easy Triggering

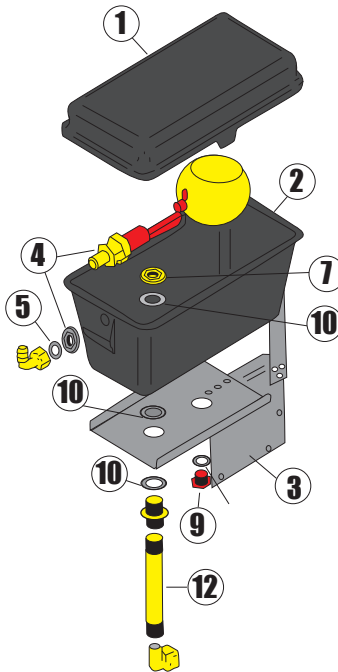
Less triggering force gets day-old birds off to a fast start.

#L4095 OptiGROW Broiler Nipple



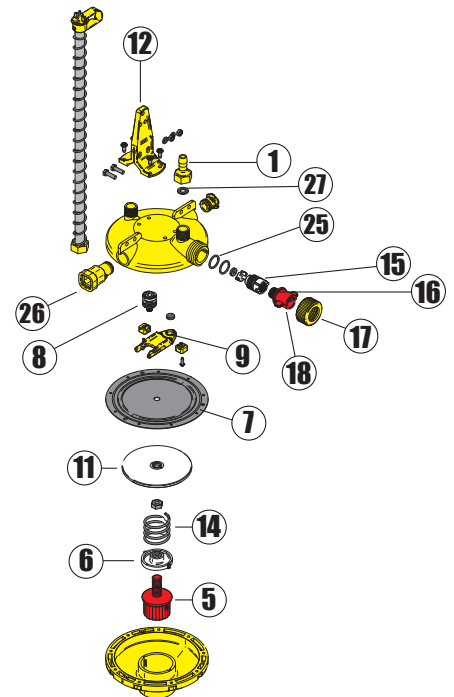
Ball Tank with Flush System #L4221

- 1) #L0013800300 Tank
- 2) #L4212 Rubber Washer 3/4" Male Thread
- 3) #L0013801300 Outlet with Holder
- 4) #L0013701800 Washer 3/4"
- 5) #L0013702901 Male Plug 3/4" Red
- 6) #L0013801601 Plastic Nut
- 7) #L4367 Tube Connector
- 11) #L4254 Ball Valve
- 12) #L4215 Washer 1/2" Inside
- 13) #L4313 Angle Hose Connector w/ Sleeve Cap Nut
- 14) #L0013802000 Form O-Ring
- 15) #L0013800400 Cover
- 16) #L0013801100 Flush Knob
- 18) #L2707041 Cylinder Screw 3mm x 16 DIN 7
- 19) #L0013801200 Guide Piece
- 20) #L2384052 Raised Cheese Screw M5 x 30 DIN 7985
- 22) #L3002480 O-Ring 12 x 3



Black Tank without Flush System #L4210

- 1) #L4201-2 Water Tank Cover
- 2) #L4251-1 Tank Shell with Plug & Sticker
- 3) #L0302000200 Tank Bracket (4210)
- 4) #L4204 Float Assembly Complete
- 5) #L4215 Rubber Washer 3/4" Male Thread
- 7) #L0013801601 3/4" Flat Nut
- 9) #L4216 1/2" Tank Plug
- 10) #L4212 Rubber Washer 3/4" Male Thread
- 12) #L3002 Supply Tube Complete (Includes #'s 11, 12, 13)
- 13) #L4210 As Shown Complete



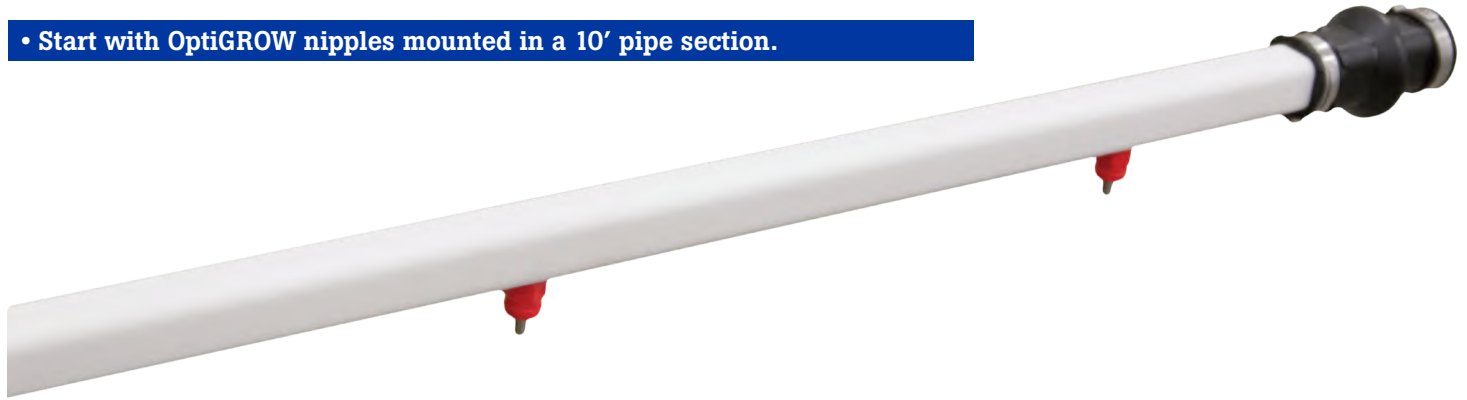
Pressure Regulator #L3201-00

- 1) #L4311-00 Hose Connector
- 5) #L0302402200 Adjustment Wheel
- 6) #L0302402300 Adjustment Nut
- 7) #L0302402800 Diaphragm
- 8) #L0302402500 Lever Operation
- 9) #L0302402600 Valve Lever
- 11) #L0302402400 Diaphragm Plate
- 12) #L3301-00 Hanger for Regulator
- 14) #L0302403300 Pressure Spring
- 15) #L302403501 Flush Bordering
- 16) #L0302403601 Adjusting Mechanism
- 17) #L0302403701 Holder Nut
- 18) #L0302403800 Toggle
- 25) #L3006203 O-Ring 20 x 2.5
- 26) #L3303-00 Transition Piece Complete
- 27) #L4215 Washer 1/2" Inside

UPGRADE YOUR EXISTING SYSTEM WITH THE LUBING ADVANTAGE

The Lubing modular design makes it easy to retrofit the Lubing Advantage to your existing watering system without replacing railings, regulators and end assemblies.

• Start with OptiGROW nipples mounted in a 10' pipe section.



- #L409512 10' section w/ 12 OptiGROW nipples w/o rail
- #L409515 10' section w/ 15 OptiGROW nipples w/o rail

• Add the Hanger Brackets according the type of existing support rail. (5) brackets for every 10' section, except with a Chore-Time® system where (6) clips are required.



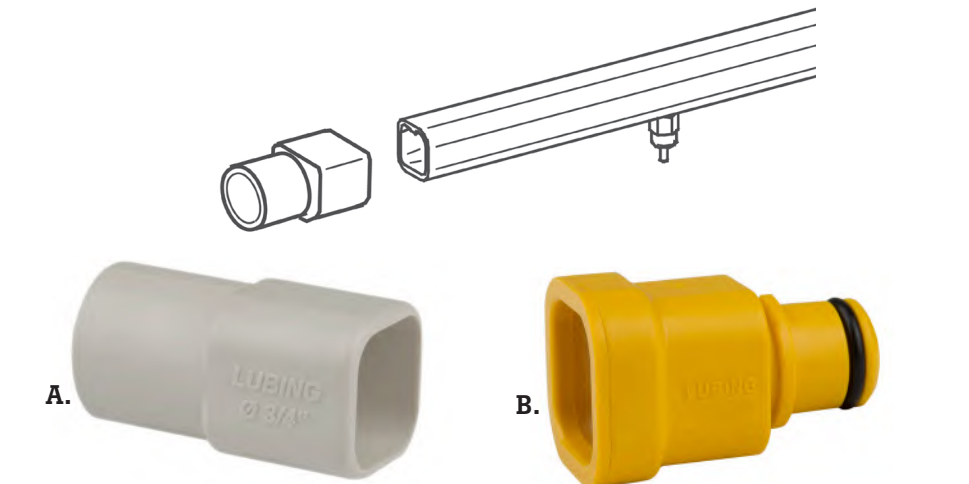
- #L4327 Hanger for Ziggity®
- #L00620120 Hanger for Plasson®
- #L00220590 Hanger for Chore-Time®

• Add LitterGard™ Cups



- #L4617 Two Arm Large
- #L4612 Two Arm Small
- #L4622-01 Single Arm

• Square to Round Transition to attach square Lubing pipe to existing regulators.

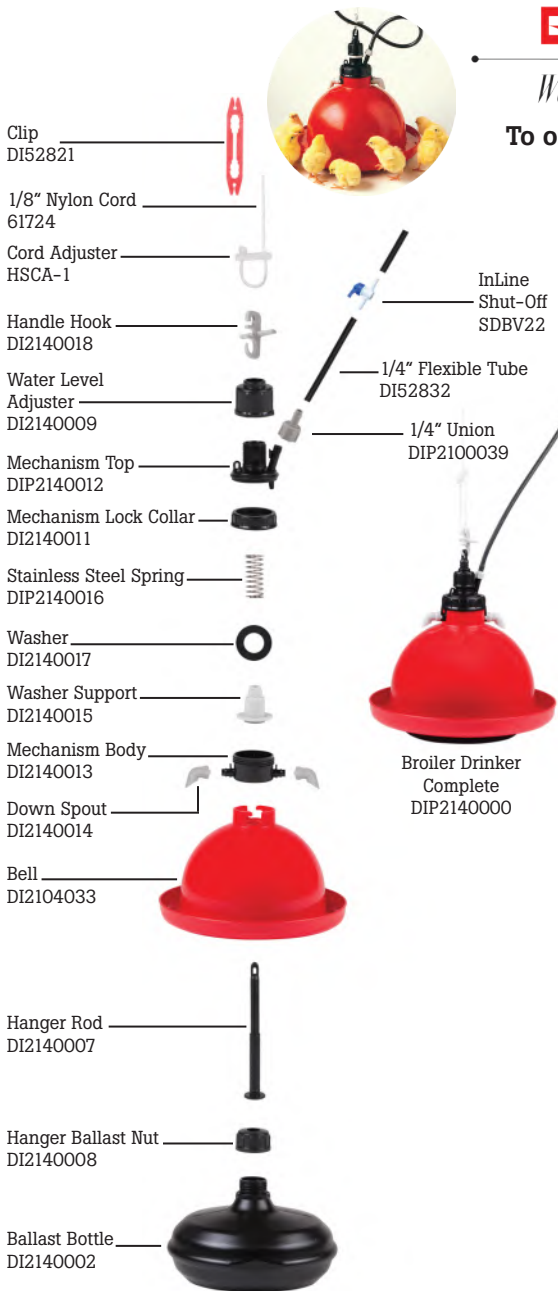


- A) #L43810 Square to Round Adapter Transition 22mm x .0750
- B) #L3304-00 Lubing Transition Adapter 28mm to 22mm



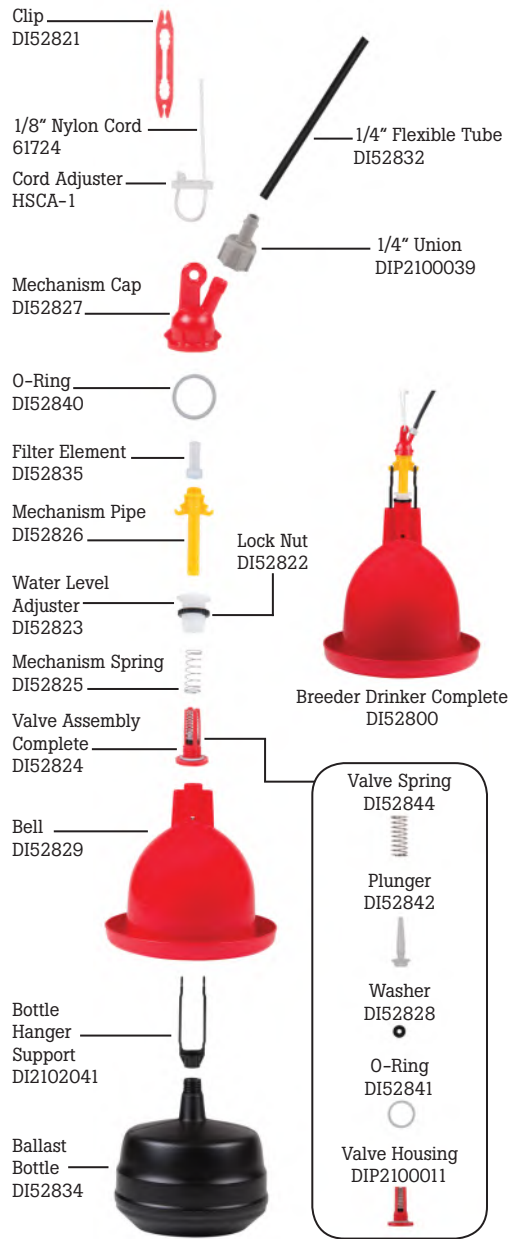
World Class Poultry Systems

To order go to www.hogslat.com



Broiler Drinker Complete
DIP2140000

The unique feature of the Plasson Drinker is the ballast bottle, which acts independently of the bell and eliminates wear on the valve mechanism. The bell design ensures a constant water level and a dry floor. Once a bird drinks as little as 10 grams (0.3 oz.) of water, this highly sensitive and maintenance-free system is activated. The Bell drinker incorporates a bayonet-based bell, a special handle hook and an efficient stacking design. Combine all of these factors and you have a system that is easy to ship and install. Approximately 8- 10 Plasson Drinkers are needed per 1000 adult birds. Working pressure: (6 - 12 psi) for optimum efficiency. The pressure can be regulated by means of a pressure regulator or via a head tank. The ballast bottle should be completely filled with water up to the water level line. In frost-prone areas, add antifreeze to the water Adjusters to the proper drinking height, always keeping the drinker lip a little higher than the bird's back. Keep water level in the bell trough as low as possible.



Breeder Drinker Complete
DI52800

Plasson® Broiler Drinker

#DIP2140000	Broiler Drinker Complete
#DI52821	Clip
#61724	1/8" nylon cord
#HSCA-1	Cord Adjuster
#DI2140018	Handle Hook
#DI2140009	Water Level Adjuster
#DIP2140012	Mechanism Top
#DI2140011	Mechanism Lock Collar
#DIP2140016	Stainless Steel Spring
#DI2140017	Washer
#DI2140015	Washer Support
#DI2140013	Mechanism Body
#DI2140014	Down Spout
#DI2104033	Bell
#DI2140007	Hanger Rod
#DI2140008	Hanger Ballast Nut
#DI2140002	Ballast Bottle
#SDBV22	InLine Shut-off
#DI52832	1/4" Flexible Tube
#DIP2100039	1/4" Union

Plasson® Breeder Drinker

#DI52800	Breeder Drinker Complete
#DI52821	Clip
#61724	1/8" nylon cord
#HSCA-1	Cord Adjuster
#DIP2100039	1/4" Union
#DI52832	1/4" Flexible Tube
#DI52827	Mechanism Cap
#DI52840	O-Ring
#DI52835	Filter Element
#DI52826	Mechanism Pipe
#DI52823	Water Level Adjuster Nut
#DI52822	Lock-nut
#DI52825	Mechanism Spring
#DI52824	Valve Assembly Complete
#DI52829	Bell
#DI2102041	Bottle Hanger Support
#DI52834	Ballast Bottle
#DI52844	Valve Spring
#DI52842	Plunger
#DI52828	Washer
#DI52841	O-Ring
#DIP2100016	Valve Housing

Item#	Plasson#	Description
HSCA-1	2100018	Cord Adjuster
DIP2209016	P2209016	Suspension Clip
DIP2205110	2205110	Aluminum Track
DI220507A	2205730	Header Kit Deluxe
DIP220507V	2205751	Vent Tube Assy
DI220507I	2205772	Line End Assy Kit
DIP2205202	2205202	Yellow Nipple

Cord Adjuster
HSCA-1
1-unit



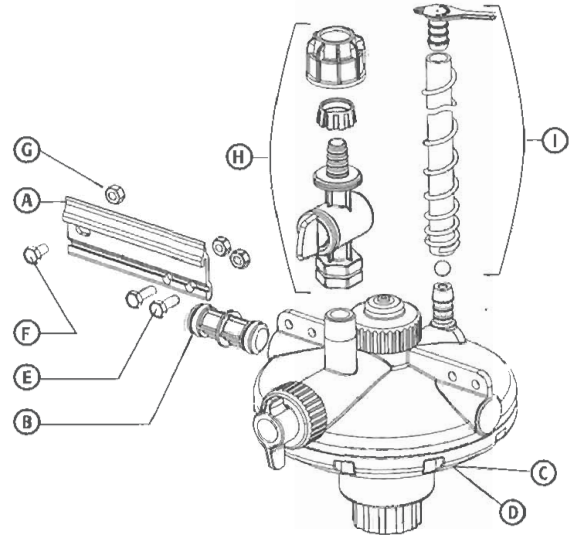
Suspension Clip
(Also used as shocker wire holder when installed in pullet and breeder houses)
DIP2209016
1-unit (pullets & breeders: 4 units)



Aluminum Profile - 3m (10')
DIP2205110
1-unit



25mm PVC pipe - 3m (10')
Available with a choice of 6, 7, 8, 9, 10, 12, or 15 nipples per section
2205136/7/8/9/1/2/5
1-unit



GREY Nipple with tray
2205000
according to number of perforations in pipe



Line Head Kit
2205730
1 unit per line



Mid House Kit
2205751
1 unit per line



Nipple Assembly Tool
2205420
1 unit per installation



Sight Tube Brush
2205424



Flexible Tube 1/2"
2209085
25m (82') per 4 lines



Mini Drinker
2205500

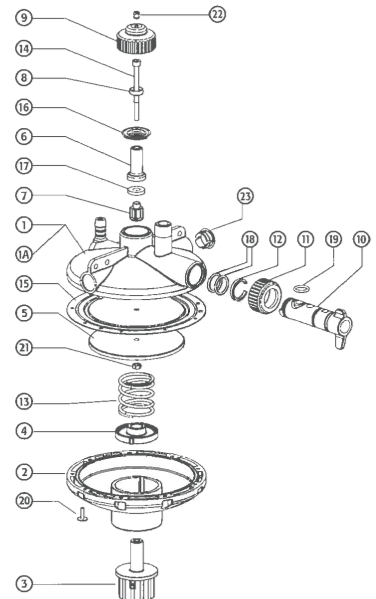


Nipple Line Head Kit #DI220507A

- #DI220507A..... Complete Unit
- B) #DIP2205122 Plasson Drinker Line Coupling Connector
- E) #60600 Bolt 1/4" x 1/2"
- F) #60600 Bolt 1/4" x 1/2"
- G) #60602 Nut 1/4"
- H) #DI3016055 Valve, Line Head 1/2" Barb x FPT
- I) #DIP220507S Sight Tube Complete
- NS) #DIP2205410 Cap for Sight Tube Drinker
- NS) #DIP2205413 Tube Only for Sight Tube 24"
- NS) #DIP2205429 Spring only for Sight Tube 24"

Nipple Line Head Kit

- 1) #DIP2205701 Top Shell
- 2) #DI2205702 Bottom Shell
- 3) #DI2205703 Knob
- 4) #DI2205704 Nut
- 5) #DI2205705 Backing Plate
- 6) #DI2205706 Upper Spool
- 7) #DI2205707 Lower Spool
- 8) #DI2205708 Washer
- 9) #DI2205709 Cap
- 11) #DI2205711 Valve Nut
- 12) #DI2205712 Valve Split Ring
- 13) #DI2205713 Spring
- 14) #DI2205714 M6 Bolt
- 15) #DIP2205715 Large Diaphragm
- 16) #DIP2205716 Small Diaphragm
- 17) #DIP2205717 Seal
- 18) #DIP2205718 Circumferential O-Ring
- 19) #DIP2205719 O-Ring
- 20) #DI2205720 PT Screw 4.0mm
- 21) #DI2205722 Nut for M6 Bolt
- 22) #DI2205732 Cap Plug



Plasson Water on Demand System

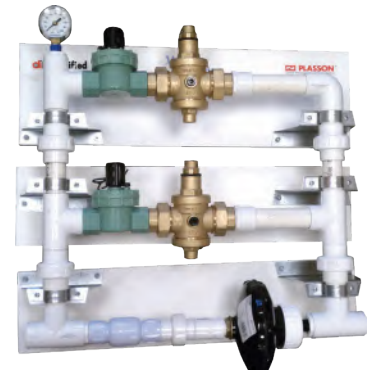
By easily changing only two parts of your current Plasson Line Pressure Regulator or purchasing a retrofit kit for other brands, you can convert all the Pressure Regulators into Pressure Reducers and manage your water line pressure from one centralized point. Now, the management of the water pressure in all drinker lines in house is achieved from one central location like your control room, by using a minimum of 2 types of pre-set pressure regulators (one regulator for low to medium pressures and a second regulator for medium to high pressures). Additional pre-set regulators give you more stages for your program if desired.

This assures the same pressure in all drinker lines and a sufficient supply of the required amount of water when birds demand it. This takes much of the guess work and labor out of constantly changing individual regulator pressures as the birds age each flock by trying to see and adjust off of water levels in difficult to see riser tubes.

The patent-pending W.O.D. (Water On Demand) does not require additional expensive infrastructure for installation. It is easy to retrofit every Plasson watering system as well as other brands of drinking systems with retro fit kits. W.O.D. helps in maximizing bird performance with optimal water supply, maintains drier litter, cuts the labor costs and can have a quick payback



WOD Auto Extension



WOD Auto with Extension

if used correctly.

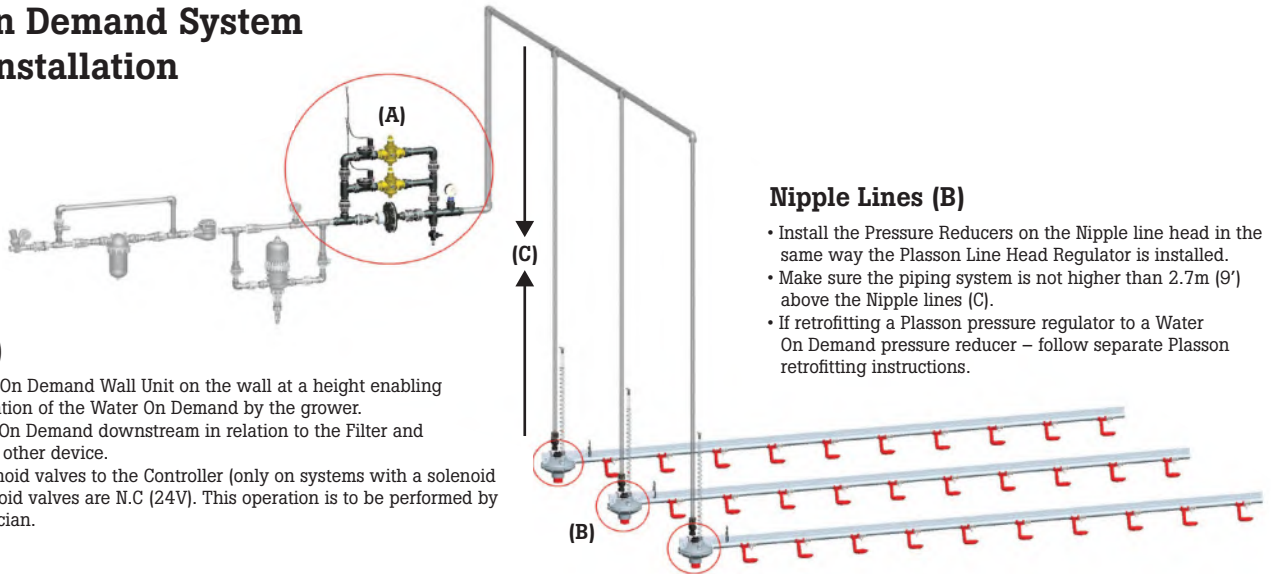
The W.O.D. system enables pressure regulating of all nipple lines in house from one central point and ensures uniform pressure in all water lines which improves uniformity. The system also enables immediate transition between different preset pressures of all nipple lines in the house by the closing and opening of solenoid or manual valves at a central control point depending on the model. With the solenoid model you can control these automated valves through your controller or a standard electrical timer. By being able to make immediate and uniform pressure transitions at specific ages as well as peak drinking times it can aid bird performance.

PRESSURE REQUIREMENT:

Inlet pressure to the Water On Demand Control Unit requires a minimum of 40 psi and a maximum of 145 psi. Regulated outlet pressure from the Water On Demand Control Unit (to the Pressure Reducer on the Nipple Line) produces a maximum of 40 psi and a minimum as low as your system can tolerate depending on your conditions.

- #DI220507WOD W.O.D. Header Kit
- #DI22050WDB W.O.D. Basic Unit
- #DI22050WDE W.O.D. Extension

Water on Demand System Installation



Wall unit (A)

- Mount the Water On Demand Wall Unit on the wall at a height enabling convenient operation of the Water On Demand by the grower.
- Install the Water On Demand downstream in relation to the Filter and medicator or any other device.
- Connect the solenoid valves to the Controller (only on systems with a solenoid valve). The solenoid valves are N.C (24V). This operation is to be performed by a certified electrician.

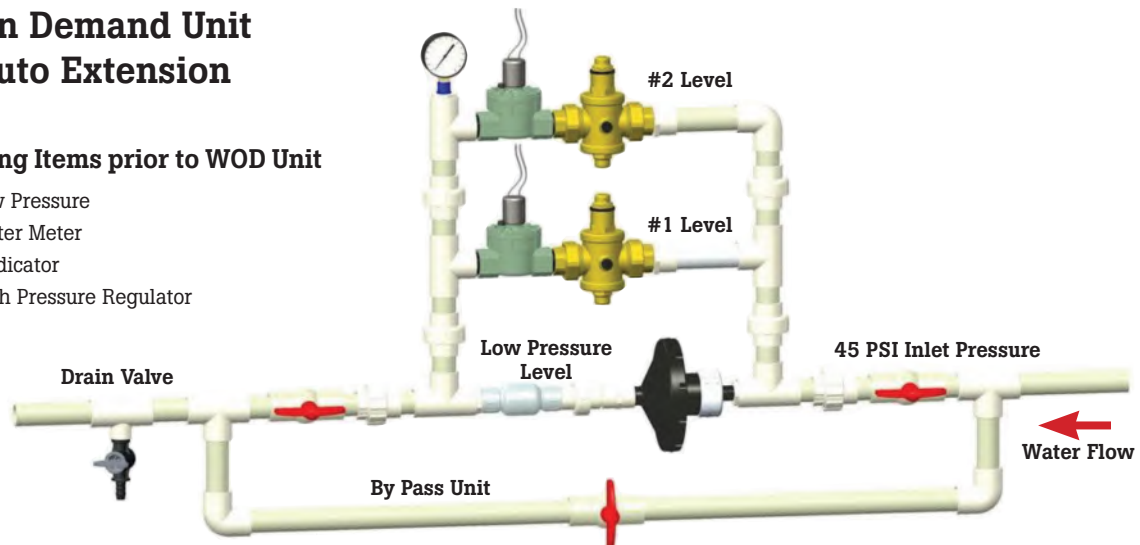
Nipple Lines (B)

- Install the Pressure Reducers on the Nipple line head in the same way the Plasson Line Head Regulator is installed.
- Make sure the piping system is not higher than 2.7m (9') above the Nipple lines (C).
- If retrofitting a Plasson pressure regulator to a Water On Demand pressure reducer – follow separate Plasson retrofitting instructions.

Water on Demand Unit with Auto Extension

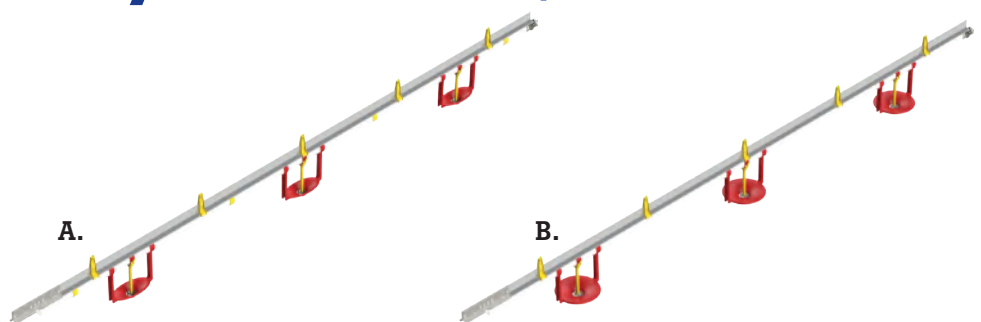
Install Following Items prior to WOD Unit

1. Low Pressure
2. Water Meter
3. Mediator
4. High Pressure Regulator





EasyLine *The recipe for success is Easy. Just Add Water.*



A) Brooding - Finishing Hens With Aluminum Rail

- #L4086 10 ft. Section W/5-4070 W/4631 Red Cups
- #L4030 10 ft. Section W/6-4070 W/4631 Red Cups

B) Finishing - Toms With Aluminum Rail

- #L4088 10 ft. Section W/4-4070 W/4630 Red Cups
- #L4089 10 ft. Section W/5-4070 W/4630 Red Cups

Brood/Hen Finishing Cup

- #L4631-1-01 Rearing Cup w/ SS insert



Tom Finishing Cup

- #L4630-1-01 Tom Finishing Cup w/ SS insert



Starter Ball

- #L4634-1-01 Starter ball 1-18" Red

Pendulum

- #L4633 Pendulum



Pendulum Holder

- #L4632-01 Pendulum holder, red



Drive Socket 1/4"

- #L7600600200... 1/4" for lubing adult turkey nipples

Nipple

FeatherSoft Turkey Nipple
360° stainless steel
designed for EasyLine
Drinking System.

- #L4070 360° SS nipple

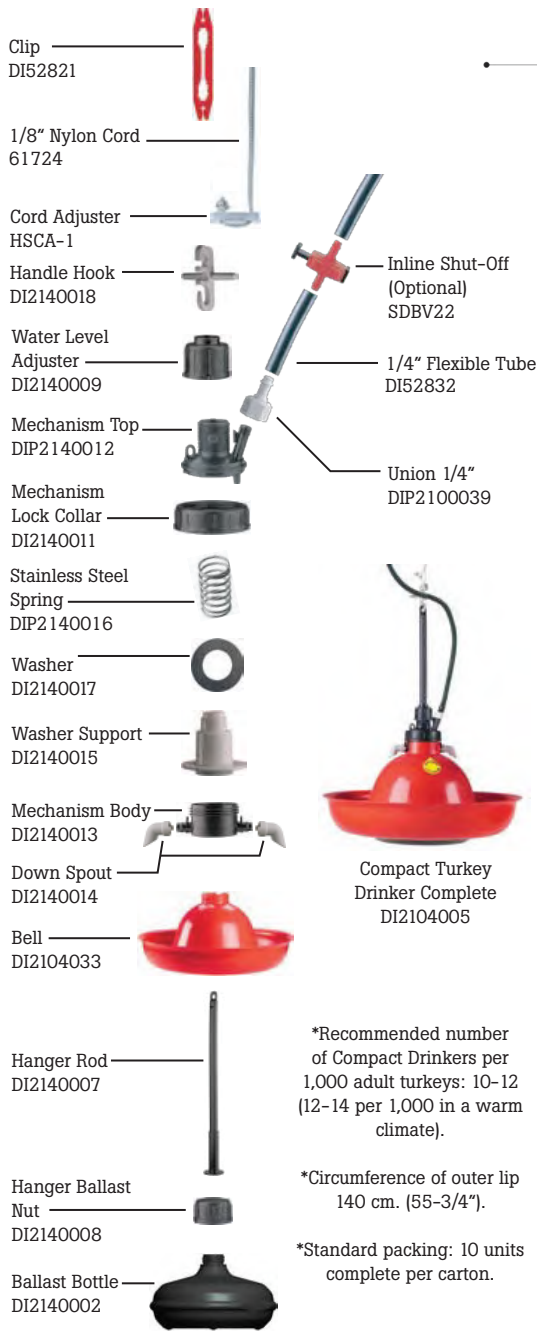


Aluminum Profile - Turkey

- #L0301101600 Aluminum Profile - Turkey
- #L0301201100 Coupling for Aluminum Profile



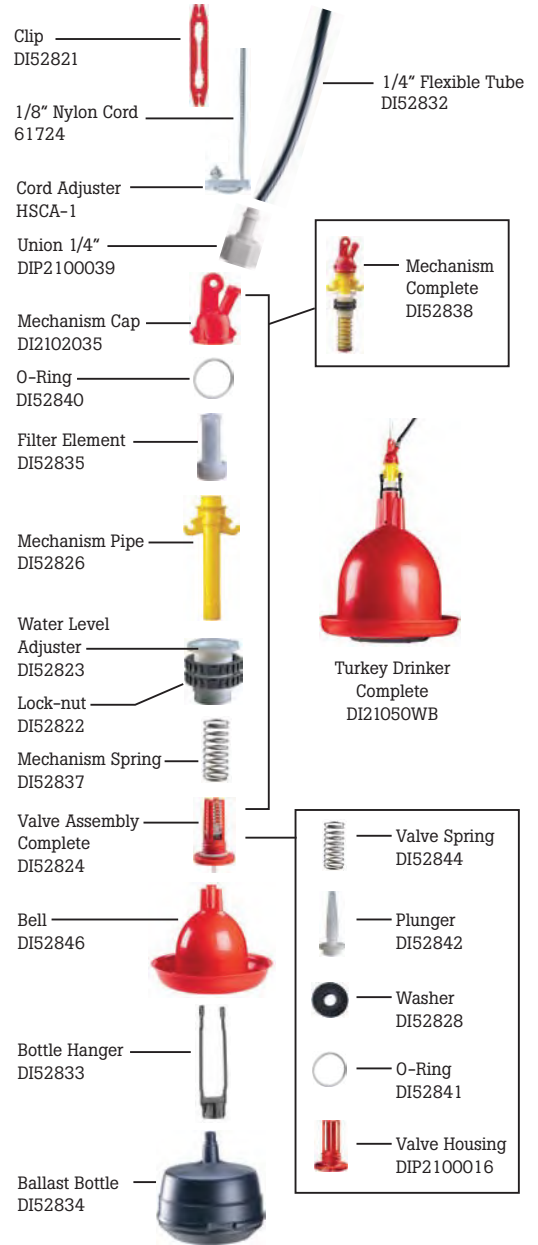
Turkey Drinkers



*Recommended number of Compact Drinkers per 1,000 adult turkeys: 10-12 (12-14 per 1,000 in a warm climate).

*Circumference of outer lip 140 cm. (55-3/4").

*Standard packing: 10 units complete per carton.



Plasson® Compact Turkey Drinker

#DI2104005.....	Compact Turkey Drinker Complete
#DI52821.....	Clip
#61724.....	1/8" nylon cord
#HSCA-1.....	Cord Adjuster
#DI2140018.....	Handle Hook
#DI2140009.....	Water Level Adjuster
#DIP2140012.....	Mechanism Top
#DI2140011.....	Mechanism Lock Collar
#DIP2140016.....	Stainless Steel Spring
#DI2140017.....	Washer
#DI2140015.....	Washer Support
#DI2140013.....	Mechanism Body
#DI2140014.....	Down Spout
#DI2104033.....	Bell
#DI2140007.....	Hanger Rod
#DI2140008.....	Hanger Ballast Nut
#DI2140002.....	Ballast Bottle
#SDBV22.....	Inline Shut-off
#DI52832.....	1/4" Flexible Tube
#DIP2100039.....	1/4" Union

Plasson® Turkey Drinker

#DI21050WB.....	Turkey Drinker Complete
#DI52821.....	Clip
#61724.....	1/8" nylon cord
#HSCA-1.....	Cord Adjuster
#P2100039.....	Union 1/4" (2 Units)
#DI2102035.....	Mechanism Cap
#DI52840.....	O-Ring
#DI52835.....	Filter Element
#DI52826.....	Mechanism Pipe
#DI52823.....	Water Level Adjuster
#DI52822.....	Lock-nut
#DI52837.....	Mechanism Spring
#DI52824.....	Valve Assembly Complete
#DI52846.....	Bell
#DI52833.....	Bottle Hanger
#DI52834.....	Ballast Bottle
#DI52832.....	1/4" Flexible Tube
#DI52838.....	Mechanism Complete
#DI52844.....	Valve Spring
#DI52842.....	Plunger
#DI52828.....	Washer
#DI52841.....	O-Ring
#DIP2100016.....	Valve Housing