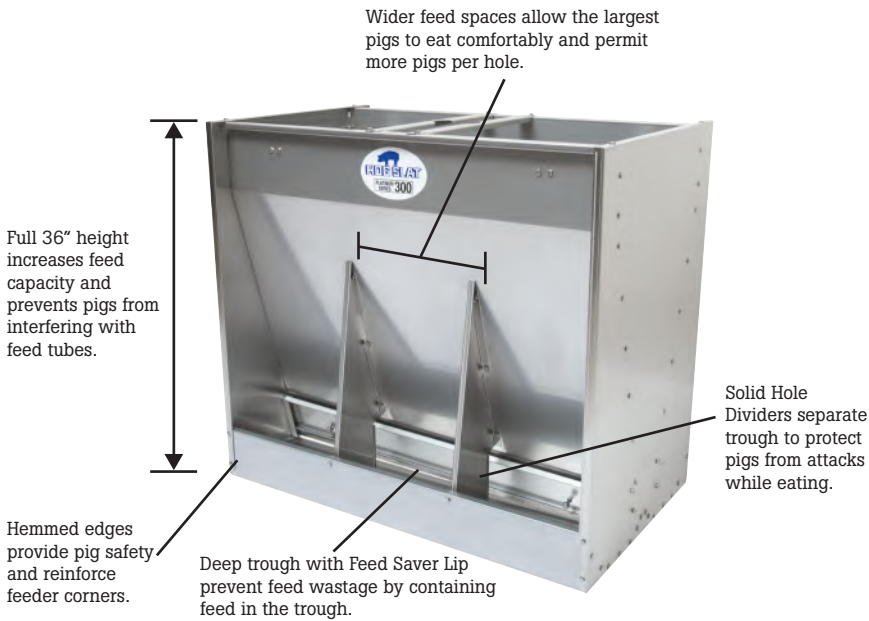


Proven, Time-Tested Feeder Design.

Hog Slat's dry feeders are the benchmark for efficient feed conversion. Tested and proven on farms across the country, we offer a wide range of sizes in both our Platinum 300 and Value 400 Series.

Comparing the 300 and 400 Series

Nickel-based 304 stainless steel provides superior corrosion resistance in harsh environments. 400 stainless steel contains less nickel in its composition reducing its corrosion resistance.



Hog Slat® Wean to Finish Feeders

Value Series 400 Single-Sided

Item#	Description	Nominal Dimensions (IN.)				Capacity (lbs.)	Shipping Wt. (lbs.)
		A	B	C	D		
7409735531	3 hole	40	36	15-1/2	5-1/2	380	82
7439735531	3 hole	42	36	15-1/2	5-1/2	399	85
7509735541	4 hole	50	36	15-1/2	5-1/2	475	99
7569735541	4 hole	56	36	15-1/2	5-1/2	530	107
7609735541	4 hole	60	36	15-1/2	5-1/2	572	115
7609735551	5 hole	60	36	15-1/2	5-1/2	572	117
7709735551	5 hole	70	36	15-1/2	5-1/2	665	131
7709735561	6 hole	70	36	15-1/2	5-1/2	665	134

Double-Sided

Item#	Description	Nominal Dimensions (IN.)				Capacity (lbs.)	Shipping Wt. (lbs.)
		A	B	C	D		
7409730531	3 hole	40	36	24-1/2	5-1/2	437	112
7439730531	3 hole	42	36	24-1/2	5-1/2	458	114
7509730541	4 hole	50	36	24-1/2	5-1/2	546	130
7569730541	4 hole	56	36	24-1/2	5-1/2	610	141
7609730541	4 hole	60	36	24-1/2	5-1/2	657	159
7609730551	5 hole	60	36	24-1/2	5-1/2	657	160
7709730551	5 hole	70	36	24-1/2	5-1/2	763	179
7709730561	6 hole	70	36	24-1/2	5-1/2	763	180

Platinum Series 300 Single-Sided

Item#	Description	Nominal Dimensions (IN.)				Capacity (lbs.)	Shipping Wt. (lbs.)
		A	B	C	D		
7409335531	3 hole	40	36	15-1/2	5-1/2	380	79
7439335531	3 hole	42	36	15-1/2	5-1/2	399	82
7509335541	4 hole	50	36	15-1/2	5-1/2	475	93
7569335541	4 hole	56	36	15-1/2	5-1/2	530	101
7609335541	4 hole	60	36	15-1/2	5-1/2	572	113
7609335551	5 hole	60	36	15-1/2	5-1/2	572	113
7709335551	5 hole	70	36	15-1/2	5-1/2	665	128
7709715561	6 hole	70	36	15-1/2	5-1/2	665	128

Double-Sided

Item#	Description	Nominal Dimensions (IN.)				Capacity (lbs.)	Shipping Wt. (lbs.)
		A	B	C	D		
7409330531	3 hole	40	36	24-1/2	5-1/2	437	112
7439330531	3 hole	42	36	24-1/2	5-1/2	458	114
7509330541	4 hole	50	36	24-1/2	5-1/2	546	130
7569330541	4 hole	56	36	24-1/2	5-1/2	610	141
7609330541	4 hole	60	36	24-1/2	5-1/2	657	159
7609330551	5 hole	60	36	24-1/2	5-1/2	657	160
7709330551	5 hole	70	36	24-1/2	5-1/2	763	179
7709330561	6 hole	70	36	24-1/2	5-1/2	763	180

Offered in your choice of feed adjustments:

AccuCrank™

Hog Slat's new AccuCrank gives producers precise feeder adjustment to reduce feed wastage.

- Screw adjustment moves the feed gate 1/16 of an inch per revolution, allowing fine-tuned feed gate positioning.
- Positive lock slots prevents pigs from wiggling the slide gate out of adjustment.



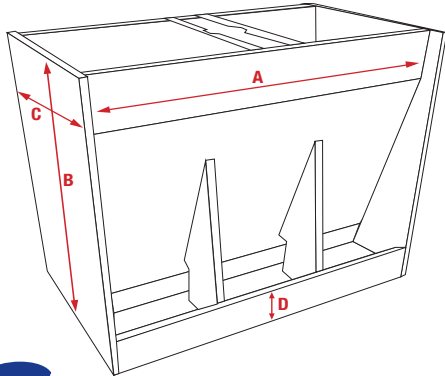
Select-A-Flow

Numbered settings allow producers to make fine graduated changes in feed flow.

- Each settings presents 1/16" in feeder gate adjustments
- Repeatable settings from group to group.

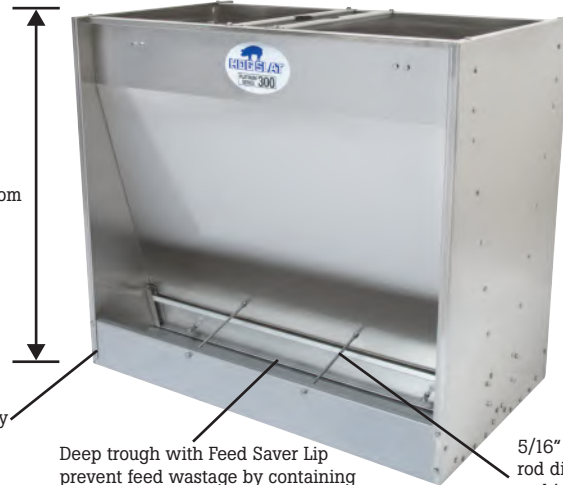


Feeder Dimensions



Full 36" height increases feed capacity and prevents pigs from interfering with feed tubes.

Hemmed edges provide pig safety and reinforce feeder corners.



Deep trough with Feed Saver Lip prevent feed wastage by containing feed in the trough.

5/16" stainless rod dividers in multiple feeder spacing



HOG SLAT® Finish Feeders

Value Series 400 Single-Sided

Item#	Description	Nominal Dimensions (IN.)				Capacity (lbs.)	Shipping Wt. (lbs.)
		A	B	C	D		
7409715531	3 hole	40	36	15-1/2	5-1/2	380	79
7439715531	3 hole	42	36	15-1/2	5-1/2	399	82
7509715541	4 hole	50	36	15-1/2	5-1/2	475	93
7569715541	4 hole	56	36	15-1/2	5-1/2	530	101
7609715541	4 hole	60	36	15-1/2	5-1/2	572	113
7609715551	5 hole	60	36	15-1/2	5-1/2	572	113
7709715551	5 hole	70	36	15-1/2	5-1/2	665	128
7709715561	6 hole	70	36	15-1/2	5-1/2	665	128

Double-Sided

Item#	Description	Nominal Dimensions (IN.)				Capacity (lbs.)	Shipping Wt. (lbs.)
		A	B	C	D		
7409710531	3 hole	40	36	24-1/2	5-1/2	437	112
7439710531	3 hole	42	36	24-1/2	5-1/2	458	114
7509710541	4 hole	50	36	24-1/2	5-1/2	546	130
7569710541	4 hole	56	36	24-1/2	5-1/2	610	141
7609710541	4 hole	60	36	24-1/2	5-1/2	657	159
7609710551	5 hole	60	36	24-1/2	5-1/2	657	160
7709710551	5 hole	70	36	24-1/2	5-1/2	763	179
7709710561	6 hole	70	36	24-1/2	5-1/2	763	180

Platinum Series 300

Single-Sided

Item#	Description	Nominal Dimensions (IN.)				Capacity (lbs.)	Shipping Wt. (lbs.)
		A	B	C	D		
7409315531	3 hole	40	36	15-1/2	5-1/2	380	79
7439315531	3 hole	42	36	15-1/2	5-1/2	399	82
7509315541	4 hole	50	36	15-1/2	5-1/2	475	93
7569315541	4 hole	56	36	15-1/2	5-1/2	530	101
7609315541	4 hole	60	36	15-1/2	5-1/2	572	113
7609315551	5 hole	60	36	15-1/2	5-1/2	572	113
7709315551	5 hole	70	36	15-1/2	5-1/2	665	128
7709315561	6 hole	70	36	15-1/2	5-1/2	665	128

Double-Sided

Item#	Description	Nominal Dimensions (IN.)				Capacity (lbs.)	Shipping Wt. (lbs.)
		A	B	C	D		
7409310531	3 hole	40	36	24-1/2	5-1/2	437	112
7439310531	3 hole	42	36	24-1/2	5-1/2	458	114
7509310541	4 hole	50	36	24-1/2	5-1/2	546	130
7569310541	4 hole	56	36	24-1/2	5-1/2	610	141
7609310541	4 hole	60	36	24-1/2	5-1/2	657	159
7609310551	5 hole	60	36	24-1/2	5-1/2	657	160
7709310551	5 hole	70	36	24-1/2	5-1/2	763	179
7709310561	6 hole	70	36	24-1/2	5-1/2	763	180

Offered in your choice of feed adjustments:



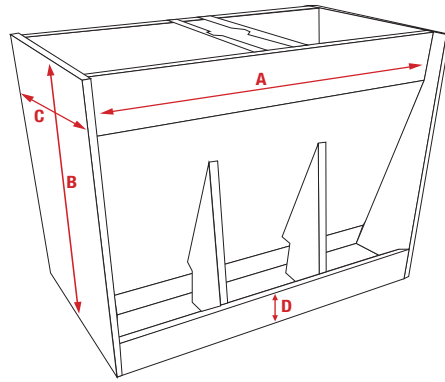
AccuCrank™

OR

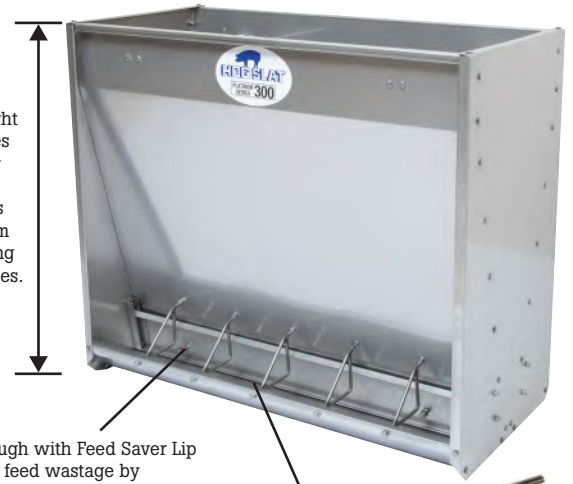
Select-A-Flow



Feeder Dimensions

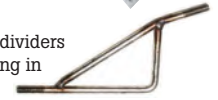


31" height increases capacity and prevents pigs from damaging feed tubes.



Deep trough with Feed Saver Lip prevents feed wastage by containing feed in the trough.

Full depth dividers prevent lying in the trough



HOG SLAT® Nursery Feeders

Value Series 400

Single-Sided

Item#	Description	Nominal Dimensions (IN.)				Capacity (lbs.)	Shipping Wt. (lbs.)
		A	B	C	D		
7309715550	5 hole	30	31	10-1/2	3	106	41
7369715560	6 hole	36	31	10-1/2	3	127	46

Double-Sided

Item#	Description	Nominal Dimensions (IN.)				Capacity (lbs.)	Shipping Wt. (lbs.)
		A	B	C	D		
7309710550	5 hole	30	31	17-1/4	3	210	58
7369710560	6 hole	36	31	17-1/4	3	252	65

Platinum Series 300

Single-Sided

Item#	Description	Nominal Dimensions (IN.)				Capacity (lbs.)	Shipping Wt. (lbs.)
		A	B	C	D		
7309315550	5 hole	30	31	10-1/2	3	106	42
7369315560	6 hole	36	31	10-1/2	3	127	48

Double-Sided

Item#	Description	Nominal Dimensions (IN.)				Capacity (lbs.)	Shipping Wt. (lbs.)
		A	B	C	D		
7309310550	5 hole	30	31	17-1/4	3	210	59
7369310560	6 hole	36	31	17-1/4	3	252	66

HOG SLAT® Wet/Dry Feeder

You can now choose a Wet/Dry feeder option with the confidence from the industry leader, Hog Slat. Based on a time tested-design, our Wet/ Dry series of feeders are welded of 16 ga. 304 Stainless Steel. The adjustment mechanism is constructed of 14 ga. with 12 ga. blocking panels. Precise management of the feed shelf is provided by a special version of our proven Select-A-Flow adjustment. The innovative Cam Action provides close incremental adjustments to fine tune feed delivery on the shelf.



Two-piece water bar aids maintenance. Vertical pipe is easily removed from horizontal bar.



Unbolt side plate and slide the entire interior water bar assembly out the cutout.



HOG SLAT® Round Feeder

- One-piece fiberglass hopper vs. two-piece hopper
- Reinforced spindle axle is mounted through the bottom of the pan to prevent breakage
- Heavier weight metal fixtures with powder coated paint finish
- 4.5 bushel capacity (213 lbs. of feed)
- Multiple lengths of panel dividers are available as optional equipment (shown with dividers, not included)



Top angle band prevents damage when feeder is turned over for cleaning.



Select-A-Flow adjustment allows for precise regulation of feed flow.



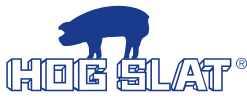
Internal bump bars prevent feed from bridging.

- #7310300500..... 30" x 31" Wet/Dry Feeder w/ 2 Nipples (304)
- #7450380500..... 45" x 41" Wet/Dry Feeder w/ 3 Nipples (304)
- #7660300500..... 60" x 31" Wet/Dry Feeder w/ 4 Nipples (304)
- #7720300500..... 72" x 31" Wet/Dry Feeder w/ 5 Nipples (304)
- #7830300500..... 84" x 31" Wet/Dry Feeder w/ 6 Nipples (304)
- #2050110100..... Feeder bracket for perpendicular placement in fence line
- #2020750100..... Universal Bracket for standard in-line placement

- #7920000000..... Round Feeder / 8 openings

GATING

- #7920200100..... Panel Blocker
- #7920220100..... 40" Panel Adapter
- #7920210100..... 50" Panel Adapter
- #7920170100..... 56" Fence Line Panel



Easy Clean Feeder Handle

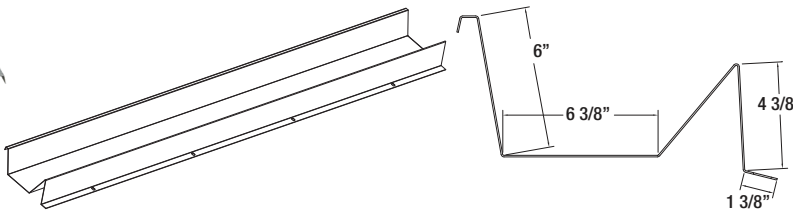
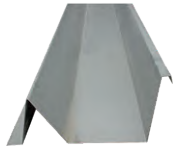
The Easy Clean Feeder Handle eases the hassle of cleaning feeders.



The top leverage handle adjusts to fit any feeder length. One person can easily tip any size feeder without removing it from the fence line. The Easy Clean Feeder Handle also reduces feeder damage caused during clean-out.

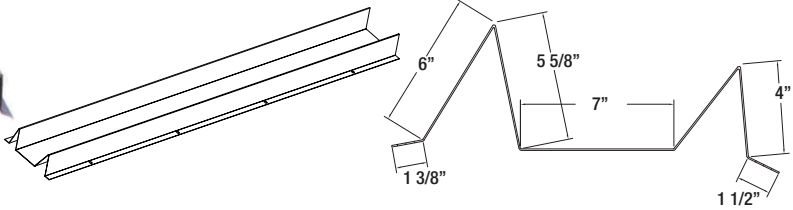
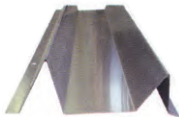


- #7000721200 Galvanized For finish feeder
- #7000721100 Painted For finish feeder
- #7000811100 Painted For nursery feeder



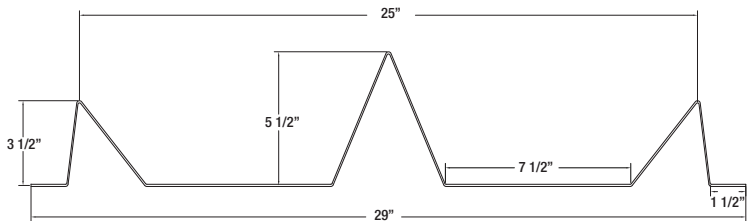
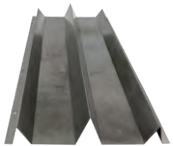
Gestation Trough • Single sided bolt down

- #8950590505 304 SS trough, single side bolt down, 8' long, 31 lbs
- #8000140500 304 SS solid end plate, 2.2 lbs
- #8000130500 304 SS end plate with 2" nipples, 2.2 lbs



Gestation Trough • Double sided bolt down

- #8950590511 304 SS trough, double sided bolt down, 8' long, 39 lbs
- #8000150500 304 SS solid end plate, 2.5 lbs
- #8000340500 304 SS end plate with 2" nipples, 2.5 lbs



Gestation Trough • Doubled sided bolt down

- #8950580540 304 SS double trough, 8 long, 60 lbs
- #8000830500 304 SS double solid end, 4 lbs
- #8000840500 304 SS end plate w/ (2) 2" nipples, 4 lbs

Feeder Parts

Feeder Handle Clip

- #8130690500 feeder handle clip



Old Style Crank Handles

- Stainless steel inside & outside
- 3/8" thread
- #7306850500 old style crank handles



Feeder Cross Brace

- 2 crank fin SS
- 16-1/2" u-handle
- #7407600500 feeder cross brace



Adjustment Handle

- Finish
- 3/8" thread
- #HSAP-2075 3/8" adjustment handle



Adjustment Handle

- 5/16" thread
- #HSAP-2074 5/16" adjustment handle



Adjustment Rod

- for AP feeders
- #HSAP-1220 3/8" adjustment rod
- #HSAP-0553 5/16" adjustment rod



Adjustment Rod

- Finishing
- 6" tail nib z-bend
- #7406480500 adjustment rod z-bend right
- #7406470500 adjustment rod z-bend left



Nursery Divider Rod

- 5/16" rod only, no nuts or washers
- #7366960500 Replacement for nursery feeders



Finishing Feeder Divider Rod

- 5/16" rod only, no nuts or washers
- #7406900500 11-1/4" long for 40" & 50"
- #7606910500 10" long for 60" & 70"





Boar Feeder Single Hole

- Allows you to maximize the accuracy and tailor your nutritional program.
- Bracket allows for adjustment from floor level to 16" off the floor.
- Feeder is constructed of heavy duty 18 gauge Stainless Steel for years of reliable use.
- Large capacity holds 158 pounds of feed.
- 14-3/4" wide x 46" tall.
- 400 series stainless steel.



Adjustment Bracket

#7800901100

Includes:

- Cage
- 17-1/2" Adjustable Rod
- Hairpin Clip
- (4) Wall Brackets



Single Sided Feeders

Single sided feeders designed to feed show pigs and smaller groups of pigs. Constructed of heavy 20 gauge galvanized steel with an adjustable feed gate at the trough. Top cover raises from the back to allow filling without disturbing the hogs. Weathertight trough lids are removable by sliding out a pin. Ships knocked down... assembly required.

Single Door Hog Feeder

- Designed to feed up to FOUR hogs to market weight.
- Holds approximately 1-1/2 bushels of feed.
- 12" Wide x 20" Deep x 29-1/2" Tall



Double Door Hog Feeder

- Designed to feed up to EIGHT hogs to market weight.
- Holds approximately 3.7 bushels of feed.
- 23" Wide x 20" Deep x 36" Tall



#7809715511 Boar Feeders
#7800901100 Adjustment Bracket (sold separately)

#FS400 Single Door #FS401 Double Door



MaxiGro 3000[®] Innovative Crate Feeder

- Three-compartment feeder for nursing pigs.
- Hooks into many types of crate flooring.
- Place in the farrowing crate corner to keep it away from the sow.
- Avoid expensive feed waste.
- 3 compartment bowl means feed contamination from urine and feces will be minimized.
- The stainless steel floor hook fastener design accommodates most types of crate flooring.
- A handy arrow on top of the hook latch lets you know which way the hook is pointing.

#SG-545200 MaxiGro 3000[®]



MaxiFlow 3000 Milk Replacement Feeder

Uniquely designed feeder reduces waste when feeding high priced milk replacement diets.

Features Include:

- Separate double feeding compartments reduces contamination
- SS floor hook snaps in place on most farrowing floors
- 1 gal plastic bottle
- Triangular profile allows feeder to fit in creep corner away from sow

#SG-545400 MaxiFlow 3000



Stainless Steel Piglet Feeder

- 304 stainless steel
- Universal J clamp
- 20 gauge construction
- Fits all standard slat floors

#1095 Stainless Steel Piglet Feeder



Stainless Steel Feeder, Plastic Divider

Stainless Steel with plastic divider

#10954 SS feeder, plastic divider



Plastic Piglet Feeder

- EZ pan
- Clip on bowl for piglets

#10950 Plastic piglet feeder



Hopper Creep Feeder

- Non-corrosive polyethylene
- Adjustable feed gate
- Mounted bracket included
- 12" W x 6" D x 15" H

#KCF-SQ Hopper Creep Feeder