



L.B. White has been a leader in swine heating for over 40 years. From farrowing to finishing, L.B. White offers a full line of forced air and radiant heating products. As the largest L.B. White distributor in the U.S., Hog Slat stocks **MORE** heaters and **MORE** replacement parts in **MORE** locations across the country than any other supplier.

Direct Spark Ignition

#LB250SI-LP ..L.B. White 250,000 BTU - Base Unit

Hot Surface Ignition

#LB60HSI-LP.....L.B. White 60,000 BTU - Base Unit
 #LB250HSI-LP .. L.B. White 250,000 BTU - Base Unit

Pilot Light Models

#LB346-3PLLP ..L.B. White 60,000 BTU - Base Unit
 #LB250PL-LP...L.B. White 250,000 BTU - Base Unit



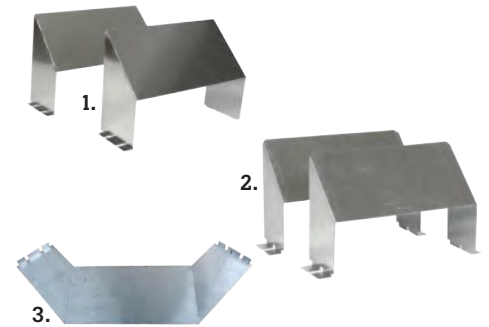
#LB05568

#59598



Gas Hose

#LB20543 ...1/4" x 10', 1/4" NPT rigid x 1/4" swivel-60M pilot
 #LB219933/8" x 10', 1/2" NPT rigid x 5/8" swivel-60M&100M
 #LB20714 1/2" x 10', 1/2" NPT rigid x 1/2" swivel-all 250M
 #LB20713 1/2" x 6', 1/2" NPT rigid x 1/2" swivel-all 250M



Air Diverters

1) #LB20111Snap-in, 2 pc. 60 HSI
 2) #LB20048Snap-in, 2 pc. all 250
 3) #LB07742Snap-in, 1 pc for 60 classic

Thermostats

#LB05568L.B. White Surface Mount
 #59598..... Remote w/ 20' cord



Second Stage Regulator

1) #LB24414..... Natural gas for 250,000
 2) #LB06665 LP for all heaters
 3) #LB07087 Pilot & HSI, natural gas for 60k-170k
 4) #LB06553 Vent over outlet, LP



Manual Shut-Off Valve

#LB571173.....Manual shut-off valve



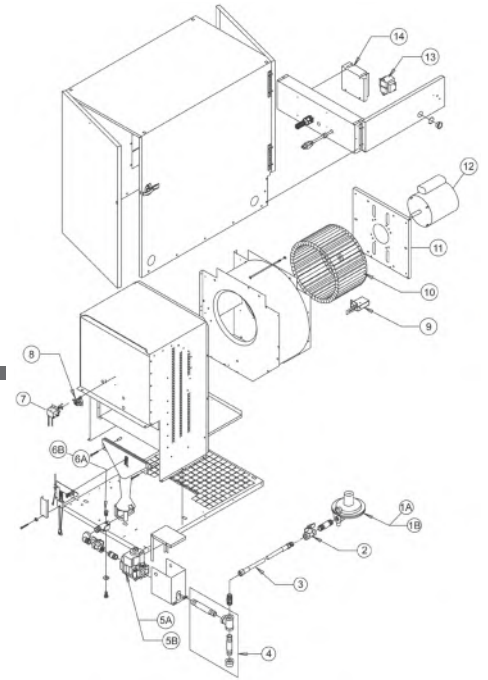
Sediment Trap

#LB00815.....Sediment trap for all heaters

LB White 250 Direct Spark

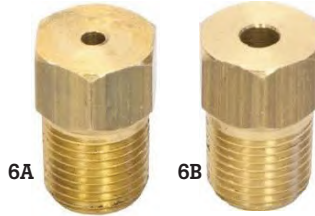
Accessories: Page 205

Key	Item#	Description
1A	#LB06665	Secondary regulator, LP
1B	#LB24414	Secondary regulator, NG
2	#LB571173	Manual shut valve
3	#LB20714	1/2" x 10' gas hose, NG & LP
4	#LB00815	Sediment trap



Gas Valves

Key	Item#	Description
5A	#LB522076	Honeywell, LP5B
	#LB522078	Honeywell, NG



Burner Orifice

Key	Item#	Description
6A	#LB570053	LP
6B	#LB570054	NG



Igniter

Key	Item#	Description
7	#LB22473	Spark Igniter Assy



High Limit Switch

Key	Item#	Description
9	#LB505566	High Limit Switch



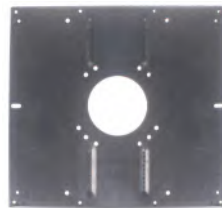
Sail Switch

Key	Item#	Description
10	#LB24157	Sail Switch



Blower Wheel

Key	Item#	Description
11	#LB570481	10-3/4" dia x 6" wide



Bracket

Key	Item#	Description
12	#LB570251	Motor Mount Bracket



Motor

Key	Item#	Description
13	#LB520169	1/3 HP Motor



Transformer

Key	Item#	Description
14	#LB509615	120/24 V Transformer



Ignition Control

Key	Item#	Description
14	#LB524900	Spark Ignition Control

LB White 250 Hot Surface

Accessories: Page 205

Key	Item#	Description
1A	#LB06665	Secondary regulator, LP
1B	#LB24414	Secondary regulator, NG
2	#LB571173	Manual shut valve
3	#LB20714	1/2" x 10' gas hose, NG & LP
4	#LB00815	Sediment trap



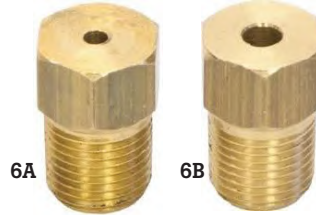
Gas Valves

Key	Item#	Description
5A	#LB522076	Honeywell, LP
5B	#LB522078	Honeywell, NG



Igniter

Key	Item#	Description
7	#LB509201	Igniter



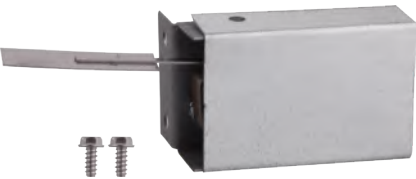
Burner Orifice

Key	Item#	Description
6A	#LB570053	LP
6B	#LB570054	NG



Flame Rod Sensor

Key	Item#	Description
8	#LB520139	Flame Rod Sensor, 6.5" Lead



Sail Switch

Key	Item#	Description
10	#LB24157	Sail switch



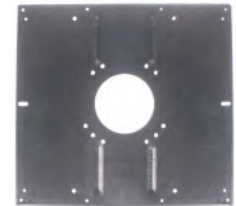
Blower Wheel

Key	Item#	Description
11	#LB570481	10-3/4" dia x 6" wide



High Limit Switch

Key	Item#	Description
9	#LB505566	High Limit Switch



Bracket

Key	Item#	Description
12	#LB570251	Motor Mount Brkt.



Motor

Key	Item#	Description
13	#LB520169	1/3 Hp motor



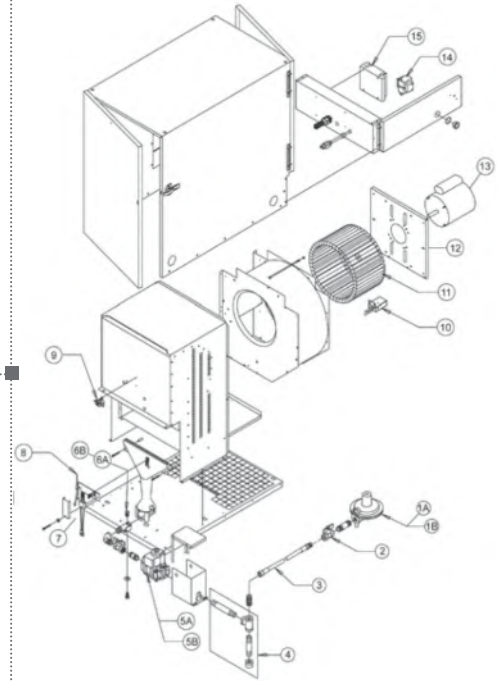
Transformer

Key	Item#	Description
14	#LB509615	120/24 V transformer



Ignition Control

Key	Item#	Description
15	#LB509298	Ignition control



LB White 250 Pilot

Accessories: Page 205

Key	Item#	Description
1A	#LB06665	Secondary regulator, LP
1B	#LB24414	Secondary regulator, NG
2	#LB571173	Manual shut valve
3	#LB20714	1/2" x 10' gas hose, NG & LP
4	#LB00815	Sediment trap



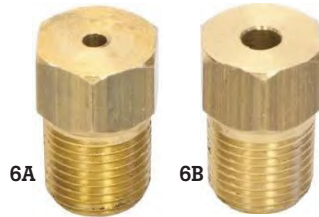
Gas Valves

Key	Item#	Description
5A	#LB521615	Honeywell, LP
5B	#LB521616	Honeywell, NG



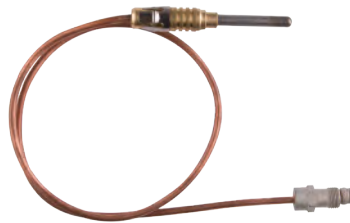
Pilot Gasket

Key	Item#	Description
7	#LB570461	Pilot Gasket



Burner Orifice

Key	Item#	Description
6A	#LB570053	LP
6B	#LB570054	NG



Thermocouple

Key	Item#	Description
8	#LB503497	22" Snap-in



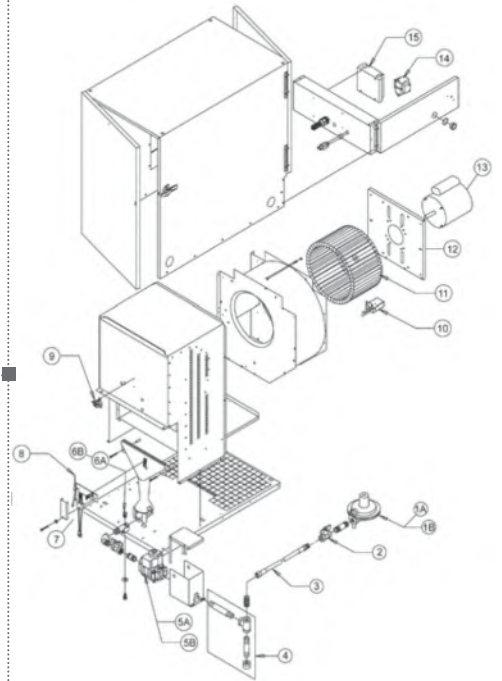
Pilot Orifice

Key	Item#	Description
10A	#LB507829	LP
10B	#LB506968	NG



Terminal Strip

Key	Item#	Description
11	#LB570491	Terminal Strip



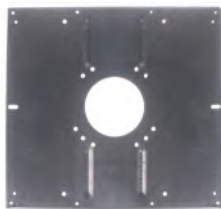
Pilot Tube

Key	Item#	Description
9	#LB570661	Pilot Tube



Switches

Key	Item#	Description
12	#LB505566	High Limit Switch
13	#LB24157	Sail switch



Bracket

Key	Item#	Description
14	#LB570251	Motor Mount Brkt.



Motor

Key	Item#	Description
15	#LB520169	1/3 Hp motor



Blower Wheel

Key	Item#	Description
16	#LB570481	10-3/4" dia x 6" wide

L.B. White 60,000 Pilot

Accessories: Page 205

Key	Item#	Description
1	#LB06665	Secondary regulator
2A	#LB20714	1/2" x 10' gas hose, NG
2B	#LB20543	1/4" x 10' gas hose, LP
3	#LB571173	Manual shut valve
10	#LB05568	Surface mount thermostat
17	#LB00815	Sediment trap

Gas Valves

Key	Item#	Description
4A	#LB502309	Basotrol, LP & NG
4B	#LB521615	Honeywell, LP
4C	#LB521616	Honeywell, NG



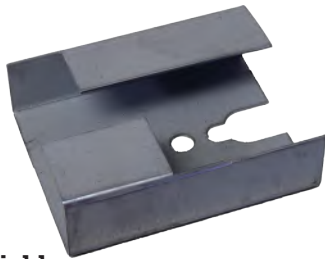
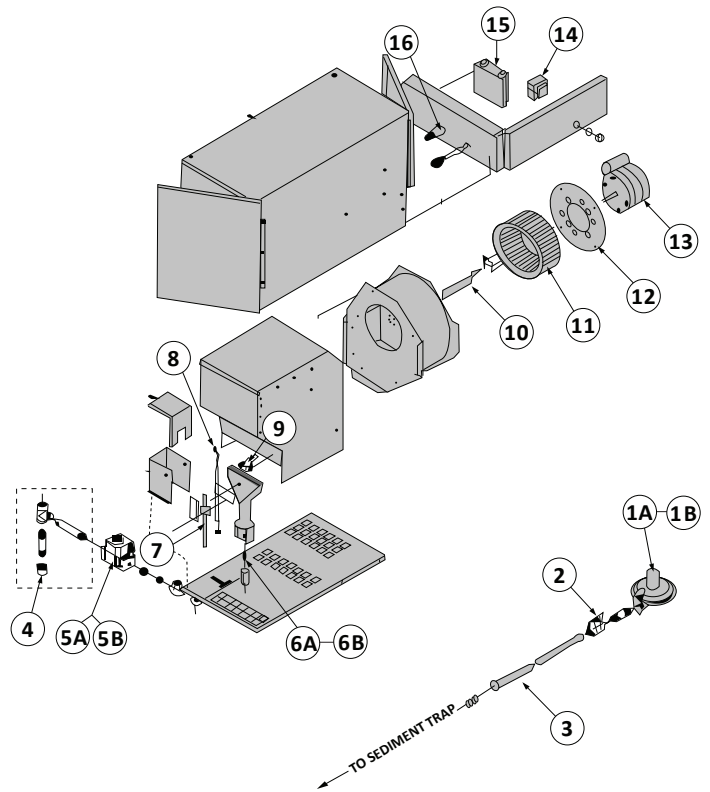
Burner Orifice

Key	Item#	Description
5A	#LB573795	LP
5B	#LB570078	NG



Pilot Orifice

Key	Item#	Description
6A	#LB570065	LP
6B	#LB573700	NG



Pilot Shield

Key	Item#	Description
7	#LB08205	Pilot Shield



Thermocouple

Key	Item#	Description
8	#LB503497	22" Snap-in



Pilot Tube

Key	Item#	Description
9	#LB521380	Pilot tube



Motor

Key	Item#	Description
11	#LB520290	1/12 Hp motor



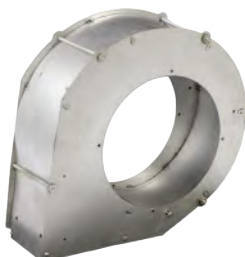
Motor Mount Plate

Key	Item#	Description
12	#LB570382	Motor Mount Plate



Blower Wheel

Key	Item#	Description
13	#LB570230	6-1/2" dia x 3-1/8" wide



Fan Housing

Key	Item#	Description
14	#LB05579	w/ motor mount



High Limit Switch

Key	Item#	Description
15	#LB503933	High Limit Switch



Air Proving Switch

Item#	Description
#LB502680	Air Proving Switch

LB White 60,000 Hot Surface *Accessories: Page 205*

Key	Item#	Description
1A	#LB06665	Secondary regulator, LP
1B	#LB07087	Secondary regulator, NG
2	#LB571173	Manual shut valve
3A	#LB20714	1/2" x 10' gas hose, NG
3B	#LB20543	1/4" x 10' gas hose, LP
4	#LB00815	Sediment trap

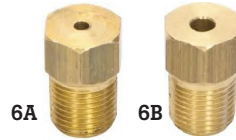
Gas Valves

Key	Item#	Description
5A	#LB522076	Honeywell, LP
5B	#LB522078	Honeywell, NG



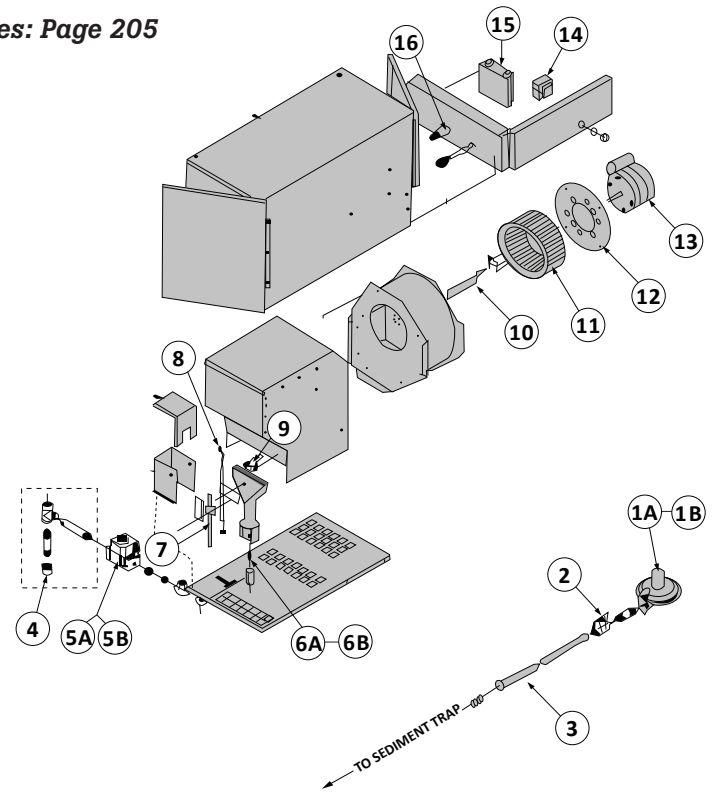
Burner Orifice

Key	Item#	Description
6A	#LB570225	LP
6B	#LB570226	NG



Igniter

Key	Item#	Description
7	#LB509201	Igniter



Flame Probe

Key	Item#	Description
8	#LB572412	Flame probe 45° bend



High Limit Switch

Key	Item#	Description
9	#LB503933	High Limit Switch



Sail Switch

Key	Item#	Description
10	#LB570027	Sail switch



Blower Wheel

Key	Item#	Description
11	#LB570230	6-1/2" dia x 3-1/8" wide



Motor Mount Plate

Key	Item#	Description
12	#LB570382	Motor mount plate



Motor

Key	Item#	Description
13	#LB520290	1/12 Hp motor



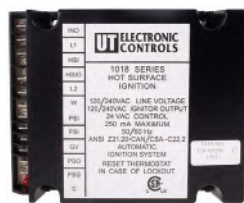
Transformer

Key	Item#	Description
14	#LB509615	120/24 V transformer



Ignition Control

Key	Item#	Description
15	#LB509298	Ignition control



Wiring Kit

Key	Item#	Description
16	#LB23709	Wiring Kit w/harness



L.B. White 100

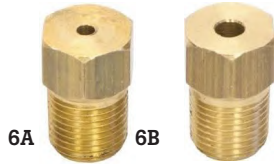
Accessories: Page 205

Key	Item#	Description
1A	#LB06665	Secondary regulator, LP
1B	#LB24414	Secondary regulator, NG
2	#LB571173	Manual shut valve
3	#LB20714	1/2" x 10' gas hose, NG & LP
4	#LB00815	Sediment trap



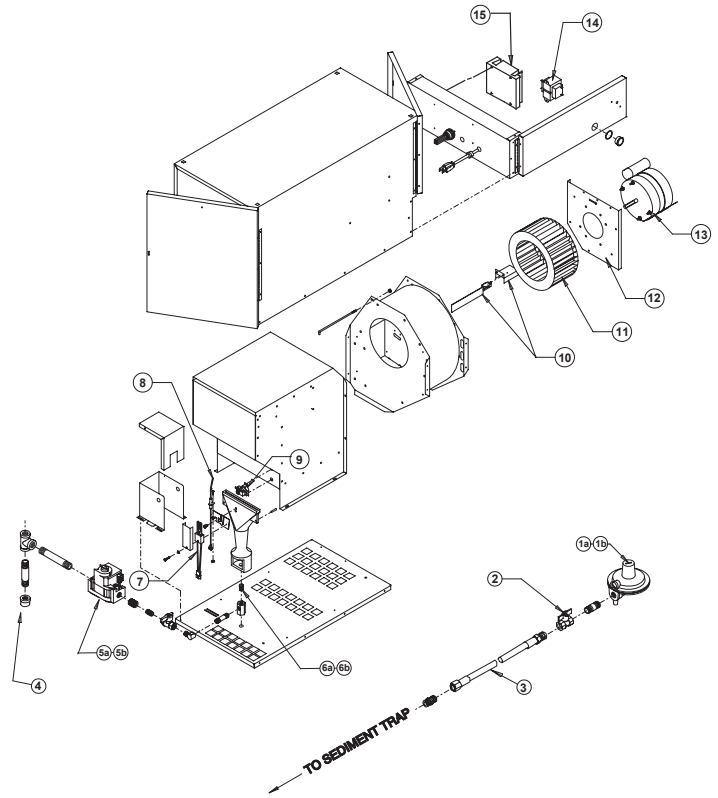
Gas Valves

Key	Item#	Description
5A	#LB522076	Honeywell, LP
5B	#LB522078	Honeywell, NG



Burner Orifice

Key	Item#	Description
6A	#LB570225	LP
6B	#LB570282	NG



Igniter

Key	Item#	Description
7	#LB509201	Igniter



Flame Rod Sensor

Key	Item#	Description
8	#LB520139	6.5" Lead



High Limit Switch

Key	Item#	Description
9	#LB503933	High Limit Switch



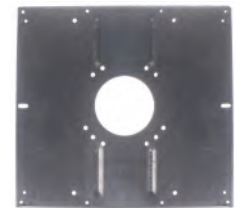
Sail Switch

Key	Item#	Description
10	#LB570493	Sail Switch



Blower Wheel

Key	Item#	Description
11	#LB570304	8" dia x 4-7/8" wide



Bracket

Key	Item#	Description
12	#LB570383	Motor Mount Brkt.



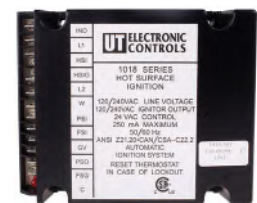
Motor

Key	Item#	Description
13	#LB520292	1/8 Hp motor



Transformer

Key	Item#	Description
14	#LB509615	120/24 V



Ignition Control

Key	Item#	Description
15	#LB509298	Ignition control

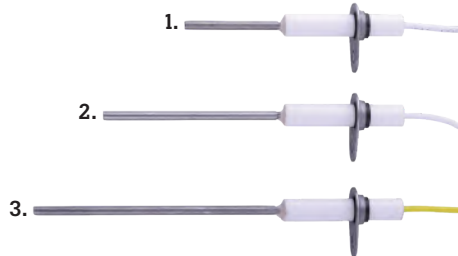
Hired-Hand Heaters

- 250,000 BTU model available
- Optional direct spark ignition
- Easy-access electrical control unit
- Quick-disconnect wiring harness for easy service;
- gold-plated contacts prevent corrosion
- Electronic hot surface instant-on ignition
- Safety shut-off after failure detection
- Manual reset high temp limit switch
- Backup safety switch



- #H6601-010475K, LP w/ hanging kit
- #H6601-7024 225K, LP, w/ hanging kit
- #H6601-7026 225K, NG, w/ hanging kit
- #H6450-0220 Outside mount kit

GrowerSELECT Flame Probes



- 1) #HS6401.25" ('98 to '05), OEM# 6450-0093
- 2) #HS641 2.2" ('05 to present), OEM# 6450-0094
- 3) #HS5674" (prior to '98), OEM# 6450-0091

GrowerSELECT Motors



Item#	Description	OEM#
#HS9045	1/10 for 75K	3017-1302
#HS9040A	1/3 for 225	3017-1300
#HS6401-2315	Motor/ Plate Assy for 75K	6401-2315
#HS6401-2317	Blower/Motor Assy for 75K	6401-2317
#HSBMA1	Blower/Motor Assy for 225K	6401-1347

GrowerSELECT Blower Wheels



- #HSBW36-3/8" x 4" CCW for 75K, OEM# 6401-1726
- #HSBW1 10-3/4" x 4-7/8" CCW for 225K, OEM# 6401-1318

GrowerSELECT Switches (high limit)



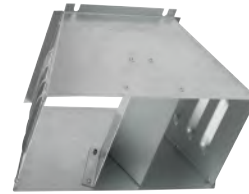
- #HS501 for 75K, OEM# 3005-0108
- #HS500 for 225K, OEM# 3005-0107

Low Pressure Gas Switch



- #H3001-0111Low Pressure Gas Switch

#H6401-2878



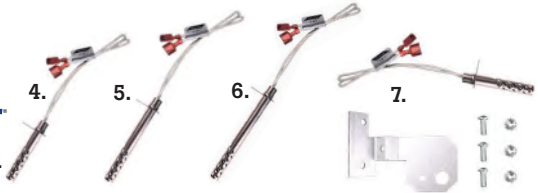
#H6401-2877



Air Diverters

- #HS6401-2876 Wye Duct, 225K
- #H6401-2878 Wye Duct 75K
- #H6401-2877 T Duct, 225K
- #H6401-2888 T Duct, 75K

GrowerSELECT Stainless Steel Igniters



- 4) #HS635Mini 2" for conversion, OEM# 3002-5000
- 5) #HS637 3" ('06 to present), OEM# 3002-3304
- 6) #HS636 3.5" (prior to '06), OEM# 3002-3000
- 7) #HS638 2" conversion kit, OEM# 6450-0212

GrowerSELECT Ceramic Igniter



- (conversion kit changes flat ceramic to 2" S.S.)
- #HS566 Ceramic Igniter-old style, OEM# 6450-3002
 - #HS638 Conversion kit, OEM# 6450-0212

Gas Valves

#H3004-1301



#H3004-0100



- #H3004-1301 Honeywell valve w/ pipe nipple (replaces original White Roger valve)
- #H3004-0100Honeywell, LP

Control Module



- #H3591-1851 Control Module

Sail Switch



- #EL1215Switch Micro, Sail Lever

*Use of Original Equipment Manufacturer part numbers is for reference only



AP Heaters

*Use of Original Equipment Manufacturer part numbers is for reference only



GrowerSELECT Igniter

#HS634 2", 24 VAC, OEM# 20-5074M



GrowerSELECT Air Proving Switch

#EL1078 For 80 & 225K, OEM# 5430-1-904



GrowerSELECT Flame Rod

#HS596 For 80 & 225K, OEM# 20-5045



Gas Valve

#G20-5070K PuraFire Main LP



GrowerSELECT Blower Wheels

#HSBW6 6-3/4" x 3" CW for 80K, OEM# 20-5008
#HSBW4 9-7/8" x 6" CW for 225K, OEM# 20-5110

GrowerSELECT Motors

#HSS420-0-913 Mounting/Motor Assembly 80K, OEM# 5420-0-913
#G20-5099D 1/3 Motor for 225K



1-1/4" L.P. Regulator

#609592 for PuraFire



Flame Safeguard Relay

#G20-5001B for PuraFire

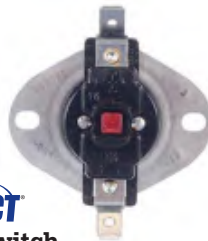
GrowerSELECT Transformer

• Used in many applications
• Compatible with most heater brands.
#HSXF120-24 Universal 120/240, OEM# 20-5036



Secondary Gas Regulator

• 11-14" water column
#H1045-0100 for PuraFire



GrowerSELECT High Limit Switch

#HS501 Manual reset, OEM# 20-5046

LB White Brooder Repair Parts



Quick Coupler Kit

#LB21335 Quick coupler kit



Thermostatic Sensor for Zone Control

#LB57371225' cord



Gas Hose

• includes male quick coupling
#LB21333 1/4" x 6'



Female Quick Coupler

#LB573828 1/4" w/ dust plug



I-Series High Pressure Radiant Brooders

High pressure radiant brooders provide a more consistent heat pattern.

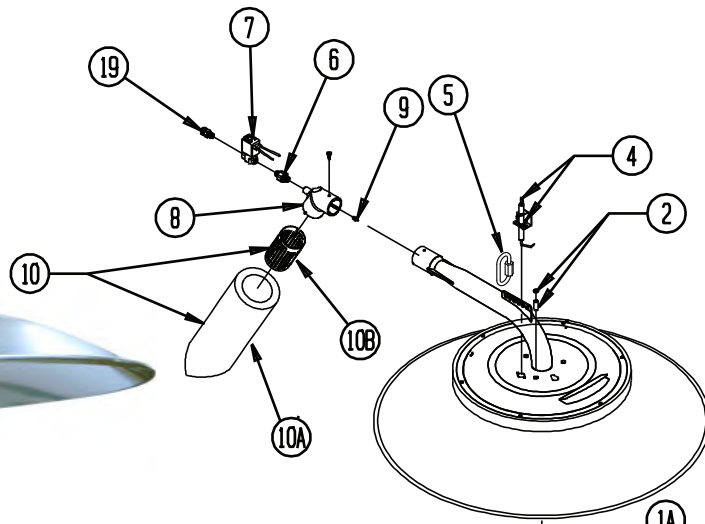
Btu/h rating: 17,000 and 40,000

Ignition types: Manual or Spark

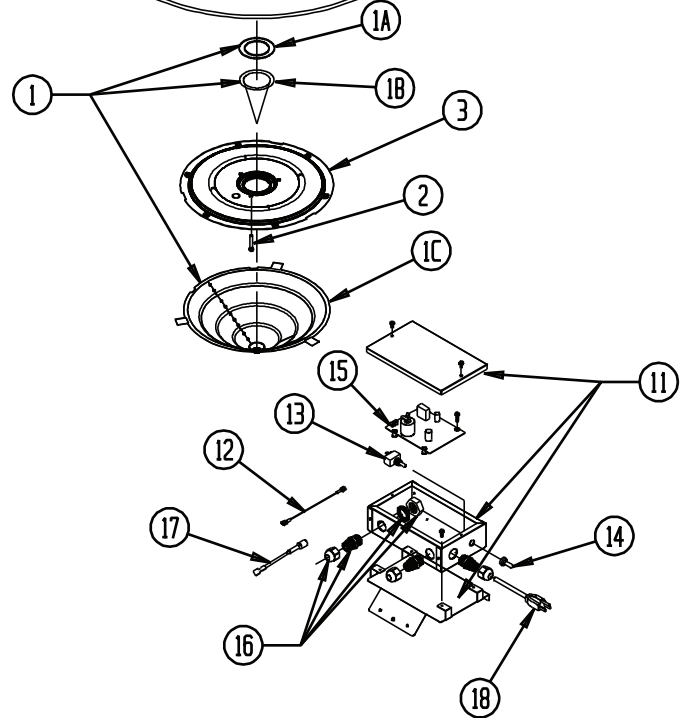
Control: Zone or individual

Fuel: LP or Natural Gas

- #LB117P-I 17,000 Individual Control, LP
- #LB117P-SI 17,000 Spark Ignition, LP
- #LB117P-Z 17,000 Zone Controlled, LP
- #LB140P-I 40,000 Individual Control, LP
- #LB140P-SI 40,000 Spark Ignition, LP
- #LB140P-Z 40,000 Zone Controlled, LP



Model I-40 Shown.



I-17 Replacement Parts

Key	Item#	Description
1	LB500-21087	Kit, combustion cones w/gasket
1A	LB571070	Gasket
1B	LB570126	Inner cone
1C	LB570088	Outer cone
2	LB500-26141	Hardware for burner plate (nuts, screws, spacers, x3)
3	LB570059	Burner plate with hardware
4	LB500-24050	Ignitor with screws
5	LB572121	Quick link
6	LB572749	Adapter
7	LB572750	Solenoid valve with adapters
8	LB572746 (LP)	Air housing assembly, with orifice & air register plate
	LB572748 (NG)	Air housing assembly, with orifice & air register plate
9	LB570539 (LP)	Orifice, burner
	LB572747 (NG)	Orifice, burner
10	LB500-20427*	Filter kit
10A	LB570108	Filter
10B	LB573134	Filter sleeve
11	LB572804	Control box w/cover, & bracket
12	LB570660	Wire, black, on/off switch to circuit board
13	LB570456	On/Off switch w/boot
14	LB571939	Boot, on/off switch
15	LB570680	Ignition control
16	LB572100	Connector, liquid tight
17	LB570067	Ignition cable
18	LB570524	Power cord
19	LB500-26541	Adapter, hose

I-40 Replacement Parts

Key	Item#	Description
1	LB570130	Kit, combustion cones w/gasket
1A	LB570273	Gasket
1B	LB570308	Inner cone
1C	LB500-24543	Outer cone
2	LB500-26141	Hardware for burner plate (nuts, screws, spacers, x3)
3	LB570079	Burner plate with hardware
4	LB500-24050	Ignitor with screws
5	LB572121	Quick link
6	LB573656	Adapter
7	LB573657	Solenoid valve with adapters
8	LB573643 (LP)	Air housing assembly, with orifice & air register plate
	LB573644 (NG)	Air housing assembly, with orifice & air register plate
9	LB573740 (LP)	Orifice, burner
	LB573674 (NG)	Orifice, burner
10	LB500-27522	*Filter kit
10A	LB572429	Filter
10B	LB573135	Filter sleeve
11	LB572804	Control box w/cover, & bracket
12	LB570660	Wire, black, on/off switch to circuit board
13	LB570456	On/Off switch w/boot
14	LB571939	Boot, on/off switch
15	LB570680	Ignition control
16	LB572100	Connector, liquid tight
17	LB570067	Ignition cable
18	LB570524	Power cord
19	LB500-26541	Adapter, hose



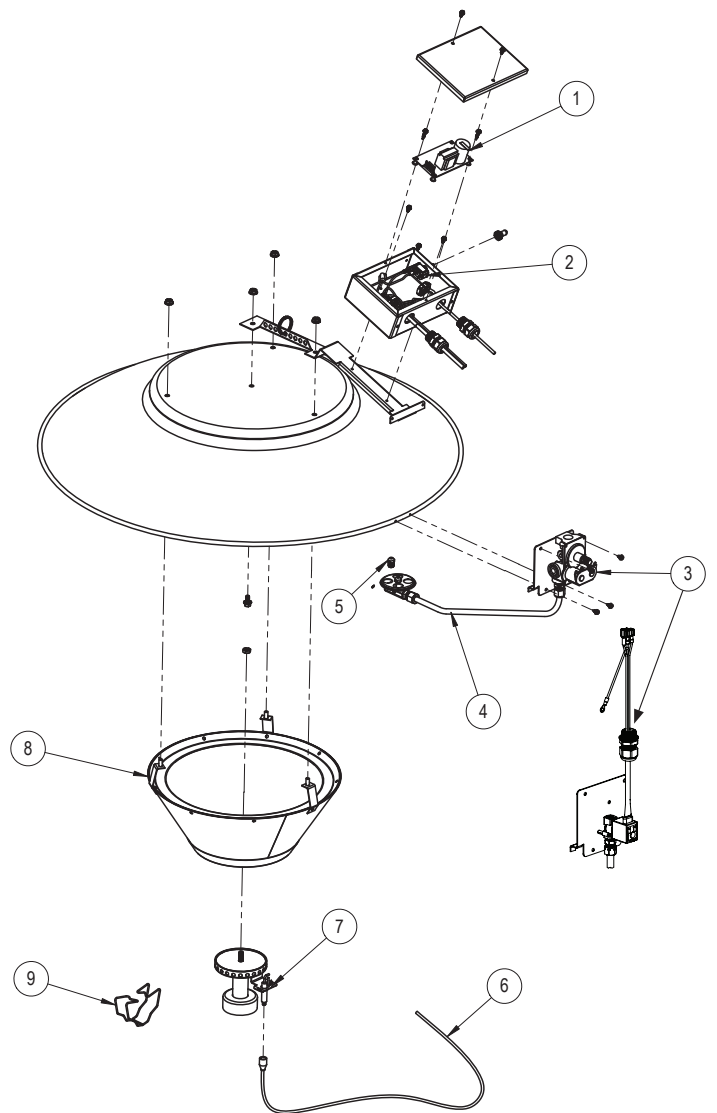
L-40 Low Pressure Radiant Heat Brooder

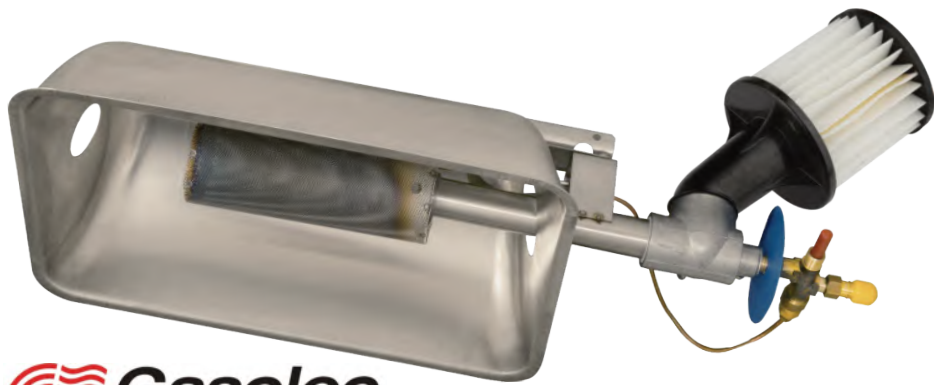
Low profile, energy efficient, heat is what is provided with the L.B. White L-40 radiant brooder. Complete with dual fuel gas valve and 31.5" polished aluminum canopy. The L-40 integrates seamlessly with major poultry house control systems.

#LBL-40.....40,000 Btu, spark Ignition

Replacement Parts

Key	Item#	Description
1	LB573477	Ignition control
2	LB570456	On/Off Switch
3	LB573481	Gas control valve
4	LB573482	Manifold
5	LB573486	Burner orifice (LP)
	LB573487	Burner orifice (NG)
6	LB573479	Ignition cable
7	LB573478	Ignitor with bracket
8	LB573484	Emitter
9	LB573591	Retention Clip





- Rugged stainless steel construction
- Standard with stainless steel filters or optional heavy duty polyester filter
- Available in LP or Natural Gas models
- Price does not include hoses or couplers



#GAS801125	M2 LP Infrared heater 3,400 BTU w/standard filter
#GAS801200	M3 LP Infrared heater 5,000 BTU / standard filter
#GAS801260	M5 LP Infrared heater 10,000 BTU w/ standard filter
#GAS801260/hdf	M5 LP Infrared heater 10,000 BTU w/ heavy duty filter
#GAS801351	M8 LP Infrared heater 17,200 BTU w/ standard filter
#GAS801351/hdf	M8 LP Infrared heater, 17,200 BTU w/ heavy duty filter



HLB 20-300 High/Low Gas Controller

- Controls groups of heaters totaling (up to) 440,000 BTUs LPG

#GAS804130 High Low w/ByPass Right Regulator



Thermocouple

#GAS806460	Short M2/M3
#GAS806470	Long M5/M8



Interior Coil

#GAS806560	Interior coil
------------------	---------------



Round Burner

(includes SS rivets)

#GAS806020	M2
#GAS806023	M3
#GAS806030	M5
#GAS806040	M8
#GAS806600	SS Rivets



Thermo Unit

- Individual modulating thermostat

#GAS803515	M2/M3 LP
#GAS803517	M5 LP
#GAS803518	M8 LP



Jets

#GAS806326	Jet M2 LP .30mm
#GAS806350	Jet M3 LP .39mm
#GAS806360	Jet M5 LP .52mm
#GAS806377	Jet M8 LP .72mm



Hose Adapter

Replaces barb fitting on Gasolec brooder, use with GAS807196 hose kit.

#GAS807209	1/4" MPT x 1/8" FPT
------------------	---------------------



Safety Device

#GAS806480	Safety device w/interior coil
------------------	-------------------------------



Dust Filters

#GAS806530	Heavy duty polyester
#GAS806520	Standard, SS



Hose Kit

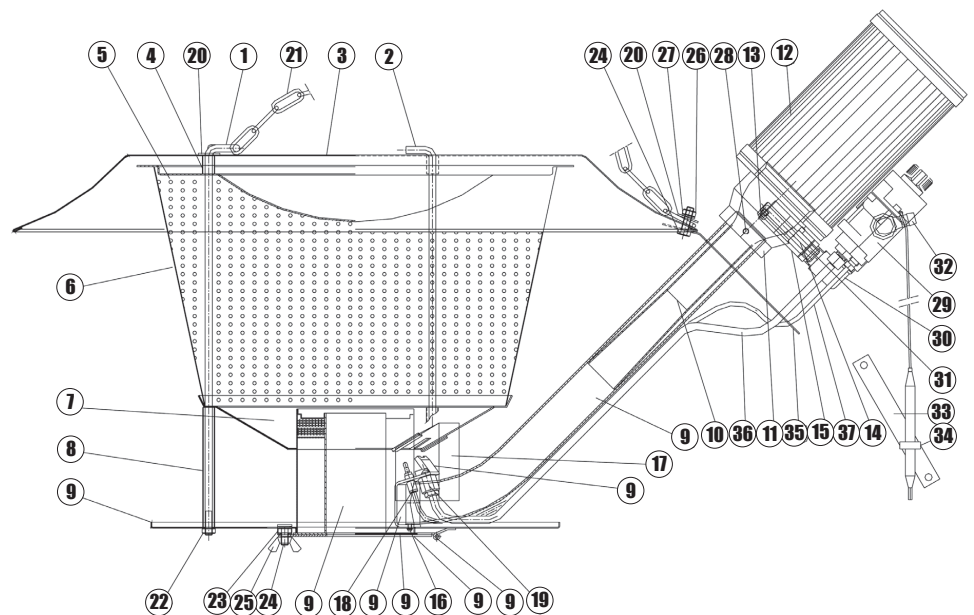
• 6-foot	
#GAS807196	LP, ends, fixed 3/8" MPT

G12 Pilot Zone Infrared Radiant Heater

- 42,000 BTU with a large, 42' dia. heat pattern
- Stainless steel construction
- Standard heavy duty dust filter
- Available as Pilot Zone, Pilot Individual and Hot Surface Ignition

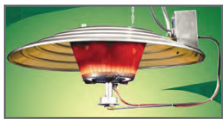
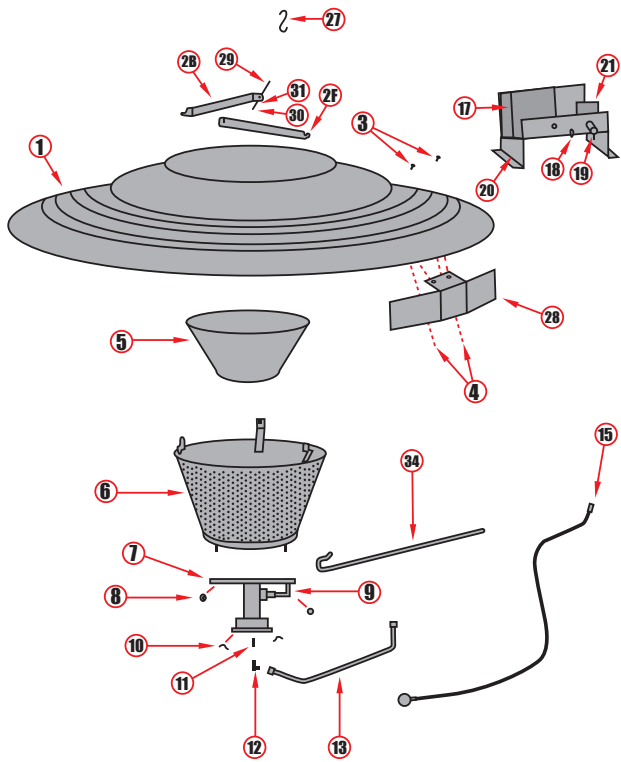


Key	Item#	Description
1)	#GAS806710	Connection Eye Rod
2)	#GAS806715	Connection L Rod
3)	#GAS806720	Reflector
4)	#GAS806725	Short Spacer
5)	#GAS806730	Emitter Top Plate
6)	#GAS806735	Emitter
7)	#GAS806740	Bottom Plate
8)	#GAS806745	Long Spacer
9)	#GAS806750	Burner Assembly
9)	#GAS806755	Gasket
9)	#GAS806760	Pilot Flame Guide
10)	#GAS806765	Venturi
11)	#GAS806770	Intake Adapter
12)	#GAS806775	Dust filter
13)	#GAS806780	Jet LP 2.1
	#GAS806785	Jet NG 2.7
14)	#GAS806790	Jet Holder
15)	#GAS806795	Jet Retainer
	#GAS806800	Solenoid 24 VAC
	#GAS806801	Solenoid 24 VAC replacement coil
	#GAS806805	1/4 x 1/8 inch Bushing
	#GAS806810	Safety Device
	#GAS806810e	Safety Device & Sol
	#GAS806815	Thermocouple Pilot Ignition
	#GAS806815e	Thermocouple Elec. Ignition
16)	#GAS806820	Pilot Gas Pipe w/ fittings
17)	#GAS806825	Pilot Cover
18)	#GAS806830	Thermocouple Holder
	#GAS806830e	Thermocouple Holder Elec.



Key	Item#	Description
19)	#GAS806835	Pilot Jet LP .30
	#GAS806840	Pilot Jet NG .40
20)	#GAS806845	Washer M 6
21)	#GAS806850	Suspension Chain
22)	#GAS806855	Nylock Nut M 6
23)	#GAS806860	Slide bracket - Gasket Plate
24)	#GAS806865	Screw M6 Gasket Plate
25)	#GAS806870	Wing Nut M6 Gasket Plate
	#GAS806875	Burner Pipe Support
26)	#GAS806880	Nut M6
27)	#GAS806885	Lock ring M 6

Key	Item#	Description
	#GAS806890	Hose Socket
28)	#GAS806905	Screw M5x10
29)	#GAS806910	Thermostat
30)	#GAS806915	Elbow 3/8m x 3/8f brass
31)	#GAS806920	Bushing 3/8 x 1/4
32)	#GAS806925	Hose Socket 3/8m 90 degree
33)	#GAS806930	Sensor Bracket
34)	#GAS806935	Sensor Clamp
35)	#GAS806940	Burner Pipe Support
36)	#GAS806945	Pilot Gas Pipe
37)	#GAS806975	Igniter 26 V/AC



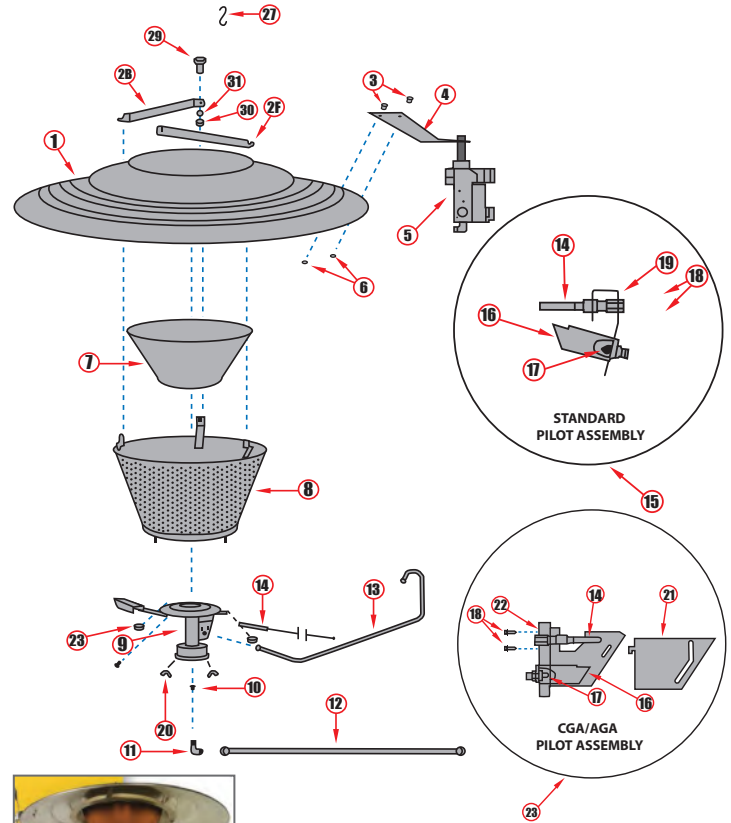
Shenandoah Shen Beam

- 42,000 BTU
- Canopy not included

#AGL52104000 Direct spark/Zone

AGL52104000 42,000 BTU dsi brooder

- 1) #AGL11010033 Canopy 34" heavy duty alum. (.040)
- #AGL11011008 Canopy 34" galv.
- 2B) #AGL21004002 Back "T" hanger bracket
- 2F) #AGL21014002 Front "T" hanger bracket
- 3) #AGL18003945 Screw 10-24 x 3/8
- 4) #AGL18000021 Star KEP nut 10 - 24
- 5) #AGL11000030 Cone insulation - infrared 42
- 6) #AGL31000015 Emitter assembly
- 7) #AGL31031061 Hybrid burner asm. LP D
- 8) #AGL16-101443 Nut: hex 10-24 18.8 SS
- 9) #AGL16-101197 Ignitor: DSI GB/SB SNG
- 10) #AGL13005190 Nut 10-24 wing
- 11) #AGL11010215 Orifice #48 (LP)
- #AGL11010210 Orifice #37 (NAT)
- 12) #AGL16-101069 ELL: brass 3/8" compx 1/8 MPT SPCL
- 13) #AGL16000003 Tube alum 3/8 x .035 x 32"
- 15) #AGL16-101153 Ground wire DSI
- 17) #AGL16-101068 Board: ctrl ign dsi br
- 18) #AGL13005282 Single pole toggle switch - 20 AMP
- 19) #AGL11000643 Conn brass 3/8 MPT x 3
- 20) #AGL21106077 Control box bottom DSI
- 21) #AGL11001238 Valve WR 25M for DSI
- 22) #AGL11003838 Elbow brass 3/8 MPT x 3/8 hose barb
- 27) #60672S S-hook
- 28) #AGL21002400 Shield: control heat WD BRDR
- 29) #AGL11000028 Bolt 1/4-20
- 30) #AGL11000187 Nut 1/4 - 20 finish
- 31) #AGL11000338 Washer 1/4" lock split



Shenandoah Shen Glow

- Canopy not included

#AGL52102001 Pilot / Individual - RS1105

Shen Glow Pilot/Zone Control Brooder 42,000 BTU

- 1) #AGL11010033 Canopy 34" heavy duty alum. (.040)
- #AGL11011008 Canopy 34" galv.
- 2B) #AGL21004002 Hanger-T back leg
- 2F) #AGL21014002 Hanger-T front leg
- 3) #AGL18003945 Screw 10-24 x3/8
- 4) #AGL16-104093 Brkt: universl brdr ctrl mt
- 5) #AGL11004081 Gas Valve Zone Control
- 6) #AGL18000021 Nut 10-24 star KEP
- 7) #AGL11000030 Infrd 42 & 40 cone insula
- 8) #AGL31000015 Large infrared emitter ASM
- 9) #AGL31031061 Hybrid burner ASM. LP
- 10) #AGL11010215 Orifice #48
- 11) #AGL16-101069 ELL: brass 3/8 compx 1/8 MPT SPCL
- 12) #AGL16000001 Tube alum 3/8 x .35 x 20-1/2
- 13) #AGL31008185 Tube alum 1/4 x .32 x 21
- 13) #AGL21260326 Tube alum 1/4 x .032 x 32
- 14) #AGL11000663 Thermocouple 30"
- 14) #AGL11000041 Thermocouple 36"
- 15) #AGL31034000 Pilot sq brkt asm nat dom
- 16) #AGL28024042 Pilot body finished
- 17) #AGL11002205 Orifice #78 one piece
- 17) #AGL11002203 Orifice #73 one piece
- 18) #608855 Screw 8 x 1/2 TEK
- 19) #AGL21007088 Pilot brkt sq pilot
- 20) #AGL13005190 Nut 10-24 wing
- 21) #AGL21007090 Pilot shield infrared CGA
- 22) #AGL21007089 Pilot brkt sq infrared CGA
- 23) #AGL16-101443 Nut: hex 10-24 18.8 SS
- 24) #AGL31044002 Pilot asm infrared LP CGA
- 24) #AGL31034002 Pilot asm infrared nat CGA
- 27) #AGL00101816 Hook S large
- 29) #AGL11000028 Bolt 1/4-20 x 5/8 GRD 5
- 30) #AGL11000338 Washer 1/4 lock split
- 31) #AGL11000187 Nut 1/4 - 20 finish

Shenandoah Brooder Parts



Select your choice of canopy to complete the brooders!

#AGL11011008	34" galvanized
#AGL21000033.....	34" aluminum
#AGL16-10398	46" galvanized
#AGL11014053.....	46" aluminum



Brooder Covers

- Constructed of 8x8 clear poly
- These covers with tie rope keep your brooders clean from dust and dirt between uses.

#BROODCVR20.....	20" cover
#BROODCVR34.....	34" cover
#BROODCVR46.....	46" cover



Universal Transformer Square D

- For brooders
- .25KVA 12/24 Volt

#AGL45104115 ... Universal Transformer Square D



Pilot Orifice

#AGL11000205.....	LP gas #78
#AGL11000203.....	NG gas #73
#AGL11002205.....	#78 Propane Gas Pilot (One Piece Larger Body)
#AGL11002203.....	#73 Natural Gas Pilot (One Piece Larger Body)



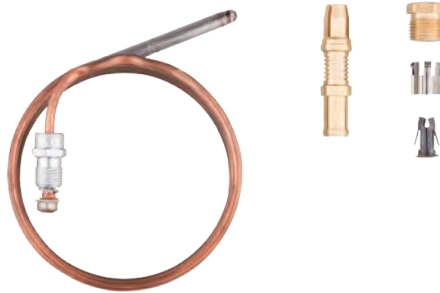
Burner Orifice

#S1101-0223.....	LP gas #52
#AGL11010218	NG gas #42



Backup Zone Control

#AGL16-15590 Backup Zone Control



Universal Thermo Coupler Kit

#HS581.....	36"
#HS580.....	30"



Ceramic Radiant

#AGL18005057..... Ceramic



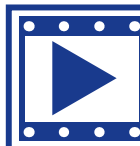
Gauging Bits

#HS658-48.....	Bit Drill Gauging #48
#HS658-52.....	Bit Drill Gauging #52
#HS658-73.....	Bit Drill Gauging #73
#HS658-75.....	Bit Drill Gauging #75
#HS658-77.....	Bit Drill Gauging #77
#HS658-78.....	Bit Drill Gauging #78
#HS658-79.....	Bit Drill Gauging #79
#HS658-80.....	Bit Drill Gauging #80



Pilot Orifice Cleaning Pen Vise with Needles

#PPV-12.....	Pen vise with 12 needles
#PPV12-414.....	Replacement needles (12 pk)



See It In Action!
YouTube:
Hog Slat Pen Vise



Pilot Shield

#AGL16-10397.....	Vertical Pilot Shield
#AGL28024042.....	Pilot Shield



Gro40
GENIE RELAX™

Direct Spark Gro40 Brooders

Now improved with Stainless Steel burner, water resistant ignition control and dual fuel gas valve. 40,000 BTU brooders available in pilot, direct spark and zone models.

- #GRO40-CR-L5N5.....Direct Spark Ignition
- #GRO40-CR-L2.....Pilot Zone, LP
- #GRO40-CR-L3.....Pilot Modulating Control, LP
- #GRO40-CR-L9.....Pilot Individual Control, LP
- #GRO40-CR-N2.....Pilot Zone Control NG Rad Alum Canopy CR
- #GRO40-CR-N9.....Pilot Ind T Stat Control NG Rad Alum CR

High Pressure Models

- #GRO40I-L5HPAL35.....High Pressure, Insulated, LP
- #GRO40I-N5HPAL35.....High Pressure, Insulated, NG
- #GRO40U-L5HPAL35.....High Pressure, Uninsulated, LP
- #GRO40U-N5HPAL35.....High Pressure, Uninsulated, NG

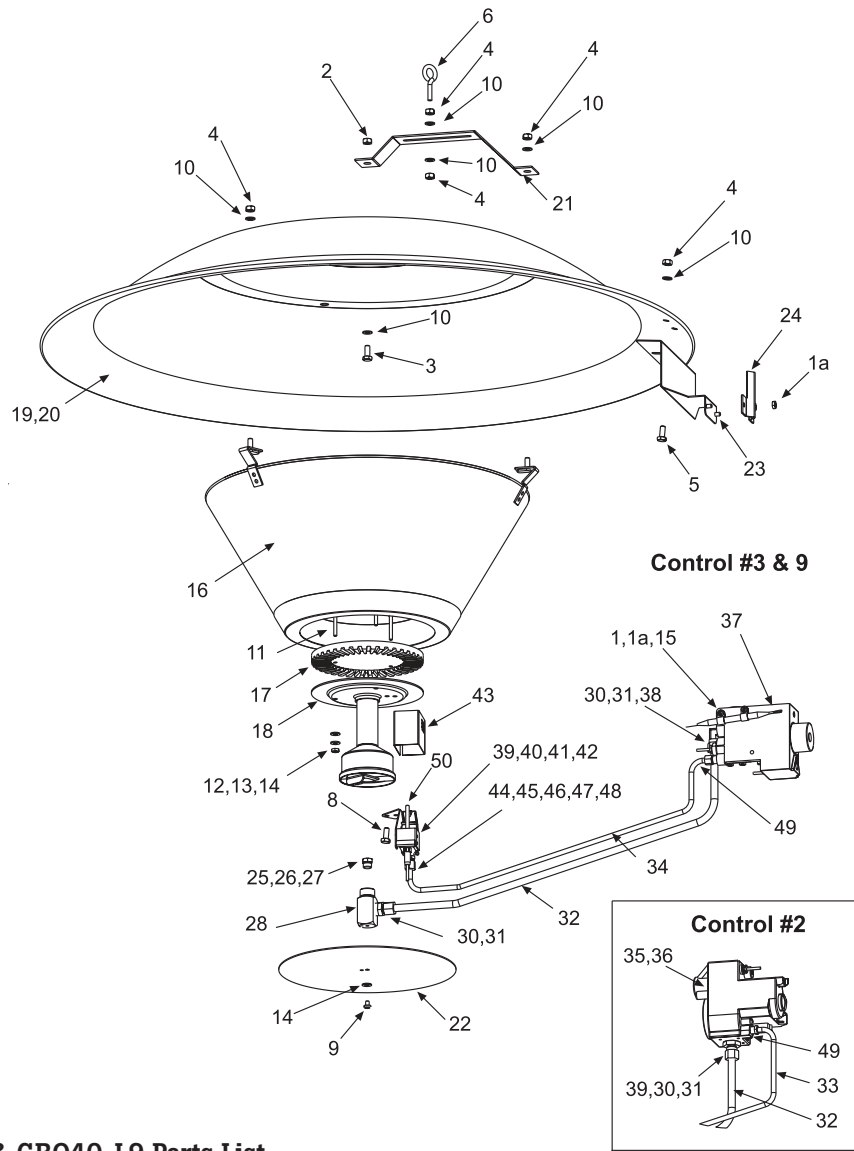


Tru40™

High Pressure Radiant Gas Brooder

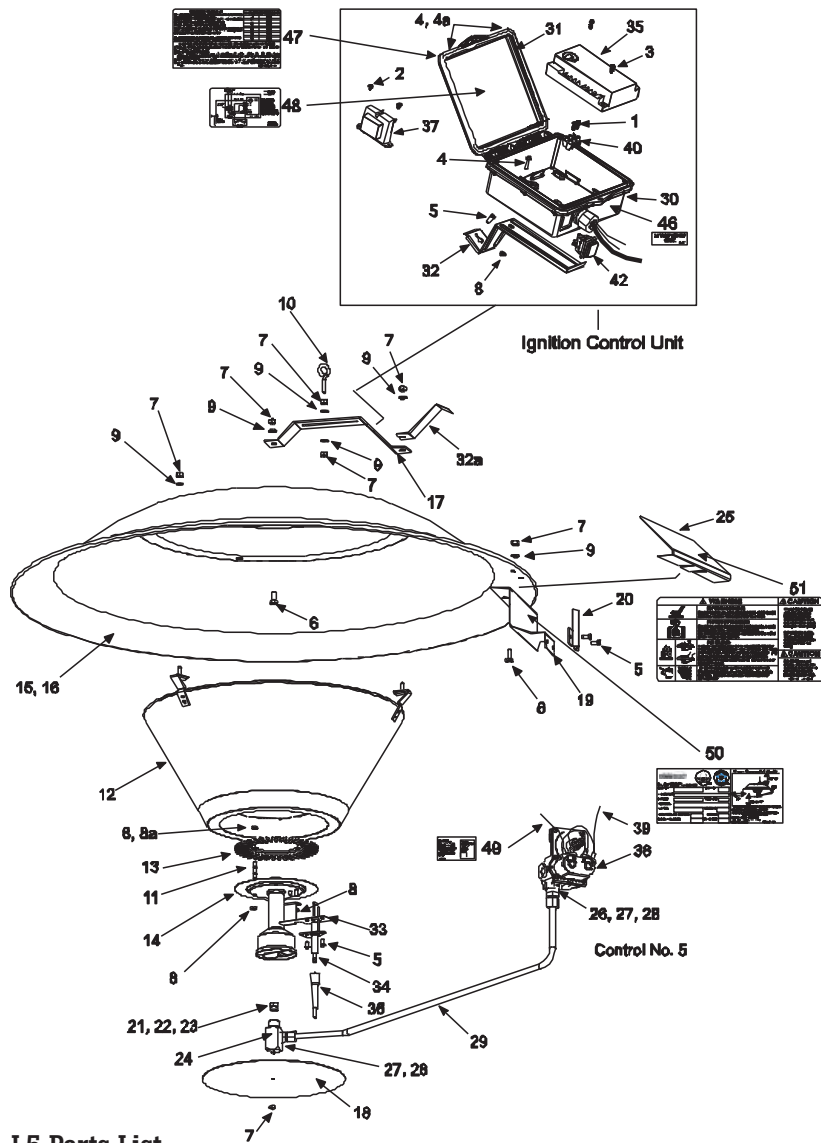
- 40,000 Btu
- Direct Spark Ignition - no standing pilot
- Stainless steel burner and emitter

- #GRO40U-L5HPAL35.....40,000 Btu, High Pressure, LP
- #GRO40U-N5HPAL35.....40,000 Btu, High Pressure, NG



GRO40-L2, GRO40-L3 & GRO40-L9 Parts List

Key	Item#	Description	GRO40-L2	GRO40-L3	GRO40-L9	Key	Item#	Description	GRO40-L2	GRO40-L3	GRO40-L9
1)	#GRO1035	#8-32 x 1/2" Pan Head Screw	-	2	2	28)	#GRO1084	Main Burner Orifice Fitting Sub-Assy	1	1	1
1a)	#GRO1040	#8-32 Hex Locknut	2	4	4	29)	#GRO1073	1/2" MPT x 3/8" Tube Fitting (USA Style)	1	-	-
2)	#GRO1037	#12-24 Hex Nut	1	1	1	30)	#GRO1064	3/8" Compression Sleeve (USA Style)	1	1	1
3)	#GRO1051	#12-24 x 1/2" Hex Head Screw	1	1	1	31)	#GRO1066	3/8" Compression Nut (USA Style)	1	1	1
4)	#GRO1039	1/4-20 Hex Locknut - Keps	7	7	7	32)	#GRO1085	Main Burner Tubing, 3/8"	1	1	1
5)	#GRO1044	1/4-20 x 5/8" Hex Head Screw	2	2	2	33)	#GRO1086	Pilot Burner Tubing, 1/4"	1	-	-
6)	#GRO1050	1/4-20 x 2" Eyebolt (includes nut)	1	1	1	34)	#GRO1087	Pilot Burner Tubing, 1/4"	-	1	1
8)	#GRO1041	#10-24 x 3/8 Pan Head Screw	2	2	2	35)	#GRO1074	Gas Valve, Honeywell #VR8200M-2956, NG	1	-	-
9)	#GRO1036	#10-32 x 1/4" Pan Head Screw	1	1	1	36)	#GRO1075	Gas Valve, Honeywell #VR8200M-2964, LPG	1	-	-
10)	#GRO1049	#M8 Flat Washer	8	8	8	37)	#GRO1076	Gas Valve, SIT #0630501, NG & LPG (w/plug)	-	-	1
11)	#GRO1045	#M5 x 35mm Hex Head Screw	3	3	3	37a)	#GRO1052	Gas Valve, SIT #0630501, LPG (w/min. rate screw)	-	1	-
12)	#GRO1046	#M5 Hex Nut	3	7	7	37b)	#GRO1053	Gas Valve, SIT #0630501, NG (w/min. rate screw)	-	1	-
13)	#GRO1047	#M5 Flat Washer	3	7	7	38)	#GRO1054	3/8" MPT x 3/8" Tube Fitting Elbow	-	1	1
14)	#GRO1048	#M5 Spring Lockwasher	4	4	4	39)	#GRO1103	Pilot Assembly Complete, LPG	1	1	1
15)	#GRO1062	Cable Clamp 5/16" ID	-	2	2	40)	#GRO1104	Pilot Assembly Complete, NG	1	1	1
16)	#GRO1089	Emitter Assembly	1	1	1	41)	#GRO1105	Pilot Housing Sub-Assembly	1	1	1
17)	#GRO1088	Burner Cap	1	1	1	42)	#GRO1102	Pilot Housing - Outer	1	1	1
18)	#GRO1094	Burner Base Assy (w/swivel clamp)	1	1	1	43)	#GRO1106	Pilot Windshield - Perforated	1	1	1
19)	#GRO1081	Reflector Canopy - Aluminum	1	1	1	44)	#GRO1067	Pilot Orifice Holder, 1/8 NPT x 1/4 Tube	1	1	1
20)	#GRO1082	Reflector Canopy - Galvanized	1	1	1	45)	#GRO1059	Pilot Orifice (#79), LPG	1	1	1
21)	#GRO1096	Low Profile Hanging Bracket	1	1	1	46)	#GRO1058	Pilot Orifice (#76), NG	1	1	1
22)	#GRO1083	Burner Pan (center mounted)	1	1	1	47)	#GRO1063	1/4" Compression Sleeve (USA style)	1	1	1
23)	#GRO1101	Manifold Support Assy (radiation shield)	1	1	1	48)	#GRO1065	1/4" Compression Nut (USA style)	1	1	1
24)	#GRO1100	V-Clamp (manifold support)	1	1	1	49)	#GRO1061	1/4" Break-Away Fitting (gas valve end)	1	1	1
25)	#GRO1057	Main Burner Orifice (1.9mm) - LP Gas	1	1	1	50)	#GRO1080	Thermocouple, 36" Snap-In	1	1	1
26)	#GRO1055	Main Burner Orifice (#31) - Natural Gas	1	1	1	51)	#GRO1092	Installation Manual (not shown)	1	1	1
27)	#GRO1056	Main Burner Orifice (#50) - LP/Butane Gas	1	1	1	52)	#GRO1090	Kit, Complete Fastener (not shown)	1	1	1



GRO40-CR-N5 & GRO40-CR-L5 Parts List

Key	Item#	Description	SRB40CR-5 Qty	Key	Item#	Description	SRB40CR-5 Qty
1)	#GFP02345010	Pan Head Screw #4-20X5/8" Plastite	2	27)	#GRO1064	Sleeve 3/8" Compression USA Style	2
2)	#GFP02337010	Pan Head screw #6-19 X 1/4" Plastite	2	28)	#G3601020	Nut Compression 3/8" Usa Style	2
3)	#GFP02174150	Pan Head Screw #6-32 X 1/2"	2	29)	#GRO1085	Tubing Main Burner 3/8" For GRO40	1
4)	#GFP02168160	Pan Head Screw #10-24 X 7/8"	3	30)	#GFP4451100	Junction Box Complete Plastic	1
4a)	#GFP02336010	O-Ring Retainer	2	31)	#GFP44452100	O-Ring Gasket Junction Box	1
5)	#GRO1108	PHMS #10-24 x 3/8" SS	5	32)	#43536190	Bracket, Box Support for CR Version	1
6)	#GFP02259000	Hex Head Screw 1/4-20 X 5/8" SS	3	32a)	#GFP43536210	Brace, Box Support	1
7)	#GFP02167019	Hex Nut - 1/*4-20 Keps SS	9	33)	#GF44468050	Bracket Electrode for the CR Version	1
8)	#GFP02167029	Nut for GRO40 CR Emitter (6 Per Brooder)	8	34)	#HS648	Igniter Spark For Direct Spark Brooder	1
9)	#GFP02129100	Washer Flat 1/4" SS	8	35)	#GRO1077	Module Ignition Direct Spark Brooder	1
10)	#GFP02309010	Eyebolt 1/4-20 X 2 Includes One Nut	1	36)	#GRO1078	Cable Ignition 35" Spade/Spark Plug GRO40 DSI Brooder	1
11)	#GFP40219520	Spacer Bolt Stainless	3	37)	#G30279000	Transformer For Space Ray Tube Heater	1
12)	#GF43525250	Emitter Assembly Less Burner Cap	1	38)	#GFP30753000	Valve White Rogers for CR version (15M18)	1
13)	#GFP44465060	Burner Cap .Srb40 Stainless CR Version (43309000)	1	39)	#GFP43444010	Wire Harness From Ignition Module	2
14)	#GFP44464050	Burner Assy Stainless CR Version	1	40)	#GFP30739020	Terminal Block 3 Pole	1
15)	#GRO1081	Canopy Reflector Aluminum	1	41)	#GRO1079	Connector Cord 1/2"	1
16)	#GRO1082	Canopy Reflector Galvanized	1	42)	#GFP30381010	Switch, Rocker - SPST Power on/off	1
17)	#GF43826030	Low Profile Hanging Bracket (w/ eyebolt) CR Version	1	43)	#GRO1069	Tie Wire GRO40	3
18)	#GF43304040	Burner Pan-Center Mount - SS	1	44)	#GFP43539260	Installation Manual	1
19)	#GFP43983030	Manifold Support Assy Radiant Shield	1	45)	#GF43534100	Fastener Kit SRB40CR	1
20)	#GFP43982030	V-Clamp Manifold Support	1	46)	#GFP43269000	Label 24 Volt Supply	1
21)	#GRO1057	Orifice Main Burner 1.9MM LP Gas	1	47)	#GFP43311100	Label Lighting Instructions	1
22)	#GFP3259330	Orifice Burner 7/16-27 #33 NG L5 to N5	1	48)	#GFP43623190	Label Wire Connections	1
23)	#GRO1056	Orifice Main Burner 50 LP Butane Gas	1	49)	#GFP43269120	Label Torque Setting Flip/Flop Regulator Screw	1
24)	#GF43305980	Main Burner Orifice Fitting (CR Version)	1	50)	#GFP43311210	Label Nameplate Rating Plate	1
25)	#GFP43311930	Label Holder Plate for the CR Version	1	51)	#GF43311180	Label Hazard/ Caution for the CR Version	1
26)	#GFP3602070	Fitting Male Coupler 68EEE	1				



GroTUBE

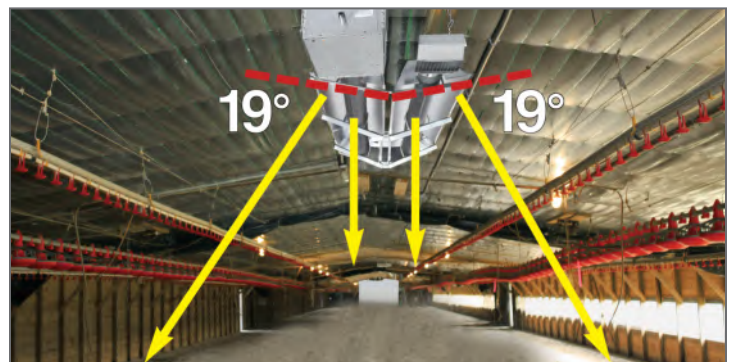
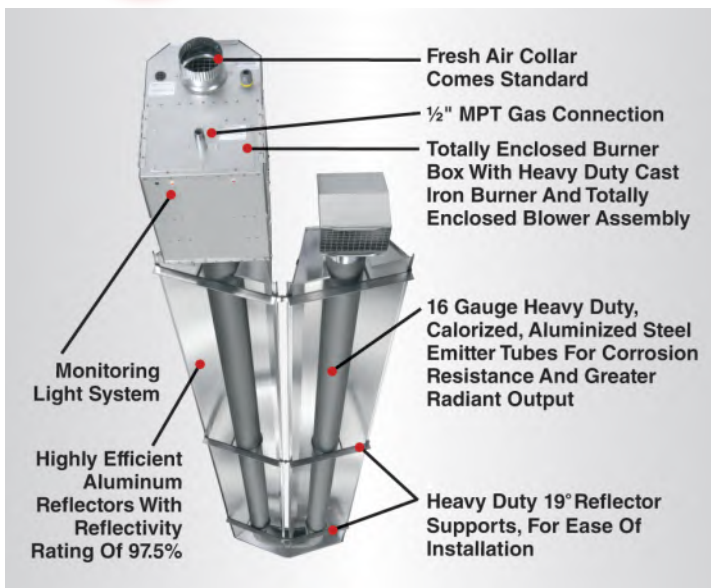
Available in Single or 2-Stage Models!

The GroTube is an energy efficient, push through radiant tube system with these unique features:

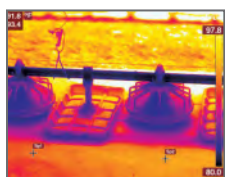
- Choose from either Calorized aluminized steel emitter tube for greater corrosion resistance or standard cold-rolled steel
- Available in either natural or propane gas models
- Diagnostic lights indicate when the heater is operating and provide a unique "troubleshooting" feature
- Available in BTU ratings from 75,000 to 150,000 and many lengths to choose from
- Heavy cast iron burners for longer life
- Can be used in either vented or unvented styles of installation
- TISS (Tube Integrity Safety Shut-Off System) is a patent-pending safety feature that automatically shuts off the heater in the event of a tube failure.



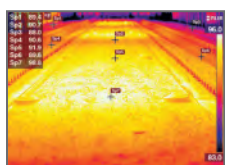
BigFOOT Radiant Tube Brooder



The 19° angle of the reflectors is designed to direct energy down directly to floor level where it's needed.



Infrared photography shows the Big Foot™ Radiant Tube Brooder's large, even heat pattern at litter level



Big Foot's unique design produces a large rectangular heat pattern. Big Foot's wide heat pattern keeps water and food areas warm for easy bird access

Single Stage

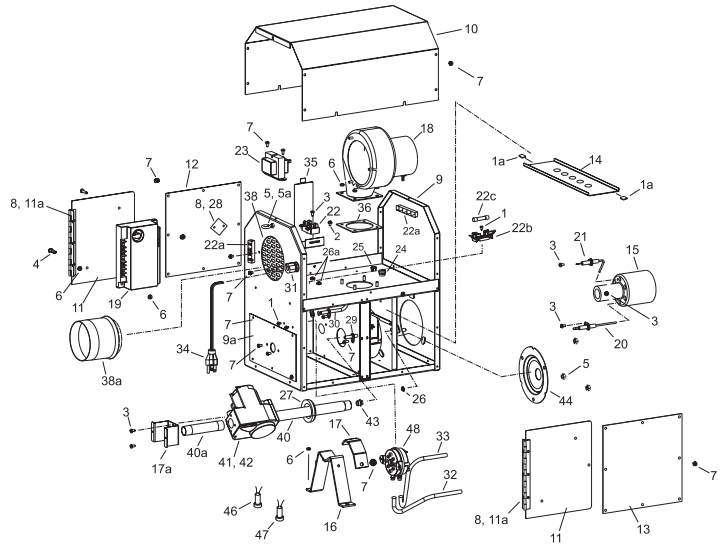
#GFPBF60-15-L5	60,000 SS LP 7.5' Overall 15' Tube
#GFPBF60-15-N5	60,000 SS NG 7.5' Overall 15' Tube
#GFPBF60-20-L5	60,000 SS LP 10' Overall 20' Tube
#GGFP44461030	60,000 SS NG 10' Overall 20' Tube
#GFPBF70-15-L5	70,000 SS LP 7.5' Overall 15' Tube
#GFPBF70-15-N5	70,000 SS NG 7.5' Overall 15' Tube
#GFPBF70-20-L5	70,000 SS LP 10' Overall 20' Tube
#GFPBF70-20-N5	70,000 SS NG 10' Overall 20' Tube
#GFPBF80-20-L5	80,000 SS LP 10' Overall 20' Tube
#GFPBF80-20-N5	80,000 SS NG 10' Overall 20' Tube
#GFPBF90-20-L5	90,000 SS LP 10' Overall 20' Tube
#GFPBF90-20-N5	90,000 SS NG 10' Overall 20' Tube

Two Stage

#GFPBF6039-15-L7	60,000 2S LP 7.5' Overall 15' Tube
#GFPBF6039-15-N7	60,000 2S NG 7.5' Overall 15' Tube
#GFPBF6039-20-L7	60,000 2S LP 10' Overall 20' Tube
#GFPBF6039-20-N7	60,000 2S NG 10' Overall 20' Tube
#GFPBF7045-15-L7	70,000 2S LP 7.5' Overall 15' Tube
#GFPBF7045-15-N7	70,000 2S NG 7.5' Overall 15' Tube
#GFPBF7045-20-L7	70,000 2S LP 10' Overall 20' Tube
#GFPBF7045-20-N7	70,000 2S NG 10' Overall 20' Tube
#GFPBF8052-20-L7	80,000 2S LP 10' Overall 20' Tube
#GFPBF8052-20-N7	80,000 2S NG 10' Overall 20' Tube
#GFPBF9058-20-L7	90,000 2S LP 10' Overall 20' Tube
#GFPBF9058-20-N7	90,000 2S NG 10' Overall 20' Tube

GROTUBE Heater

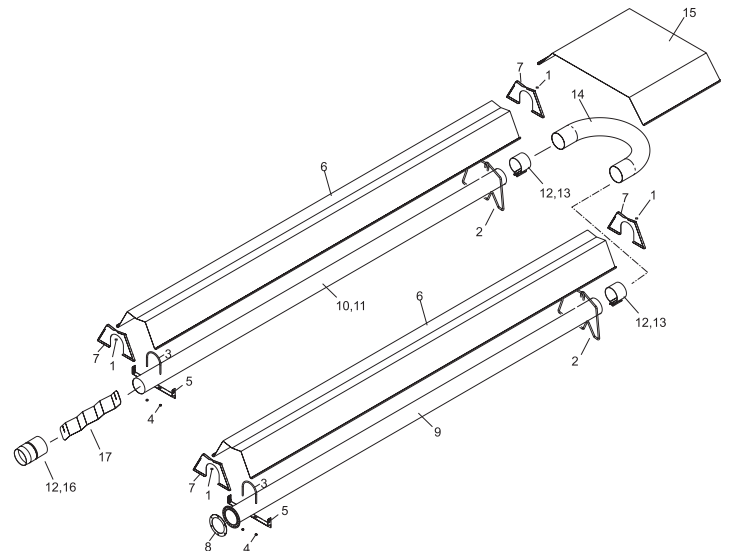
Key	Item#	Description	QTY
1)	#GFP02295040	PHTCS #6-32 x 3/8"	3
1a)	#GFP02266010	Speed Clip (for air inlet plate)	2
2)	#GFP02261030	HHTCS #8-32 x 3/8" (green coated)	1
3)	#GFP02242050	PHTCS #8-32 x 3/8"	5
4)	#GFP02150200	HHMS #8-32 x 3/4"	2
5)	#GFP02167010	Locknut 1/4-20 Keps	5
5a)	#GFP02309000	Eyebolt 1/4-20 x 2	1
6)	#GFP02167040	Locknut #8-32 Keps	9
7)	#GFP02212020	HWHSMS #8 x 1/2" B Point (typical all access panels)	45
8)	#GFP02132020	Rivet 1/8"	14
9)	#GFP44139990	Housing Assembly (welded)	1
9a)	#GFP44140111	Valve Holder Plate	1
10)	#GFP44140000	Access Panel (top)	1
11)	#GFP44140040	Access Panel (hinged)	2
11a)	#GFP02201070	Hinge 1-1/16" x 6"	2
12)	#GFP44140058	Access Panel (LH burner end) with sight glass	1
13)	#GFP44140090	Access Panel (RH burner end)	1
14)	#GFP441400	6x Combustion Air Plate	1
15)	#GFP42700500	Burner, Investment Casting - Machined	1
16)	#GFP44146030	Manifold Support Bracket	1
17)	#GFP44146040	Manifold Support Clamp	1
17a)	#GFP44146050	Manifold Extension Bracket	1
18)	#GFP30703000	Blower Assembly	1
19)	#GFP30632500	Spark Module - Fenwal-24V #35-615935-197	1
20)	#GFP30702010	Flame Sensor #PSE-GF24	1
21)	#GFP30702020	Electrode #PSE-GF25	1
22)	#GFP30281000	Terminal Block #EK-204	1
22a)	#GFP30717000	Terminal Block #EF-10001 (24V thermostat connection)	1
22b)	#GFP30713000	Fuse Holder	1
22c)	#GFP30202000	Fuse 1/4" x 1-1/4" (2 amp)	1
23)	#GFP30279000	Transformer 120v-24V 20VA	1
24)	#GFP02175020	Strain Relief #SR-6P3-4 (ignition cable)	1
25)	#GFP02175060	Strain Relief #SR-2M-1 (flame sensor wire)	1
26)	#GFP30514020	Grommet .250ID #739 (air sensing tube)	1
26a)	#GFP30512020	Split Bushing #2871 (misc. wiring, ignition cable, sensor wire)	2
27)	#GFP30700040	Grommet, Pipe Sealing 1/2" #63595K34	1
28)	#GFP42447000	Sight Glass (1-5/8" square plexiglass)	1
29)	#GFP42744079	Air Sensing Tube Asm. (straight) 1/4"od	1
30)	#GFP42744069	Air Sensing Tube Asm. (90 deg bend) 1/4"	1
31)	#GFP30635030	Cord Connector 1/2 #LPCG50	1
32)	#GFP03988100	Plastic Vacuum Air Tube 10" (P2- to static pressure point)	1
33)	#GFP03988100	Plastic Vacuum Air Tube 10" (P1+ to total pressure point)	1



Key	Item#	Description	QTY
34)	#GFP43563040	Supply Cord -Flat (SPT-1 18/3 x 72" long)	1
35)	#GFP42709000	Shield, Terminal Block	1
36)	#GFP42395010	Gasket, Blower	1
37)	#GFP03946010	Sealing Strip 1/8" x 3/8" wide (access panels) -not shown	Ft.
38)	#GFP42752250	Air Inlet Screen	1
38a)	#GFP30504040	Starting Collar (combustion air inlet)	1
39)	#GFP30701240	Ignition Cable - Female (2) 1/4" QC x 24"lg #PSE-GF23 - not shown	1
40)	#GFP44145060	Manifold Pipe 6-1/4 lg	1
40a)	#GFP03333140	Pipe Nipple 4 lg	1
41)	#GFP30333070	Gas Valve #VR8205P-2408 (natural gas)	1
41a)	#GFP30333080	Gas Valve #VR8205P-2416 (propane gas)	1
42)	#GFP30333250	Gas Valve #VR8025Q-3819 (natural gas) 2-stage operation	1
42a)	#GFP30333260	Gas Valve #VR8025Q-3827 (propane gas) 2-stage operation	1
43)	#GFP03259	Main Burner Orifice #7/16-27"	1
44)	#GFP42741150	Air Restrictor Plate 2-3/4"	1
46)	#GFP42398030	Monitoring Light Amber (gas valve operation)	1
47)	#GFP42398150	Monitoring Light Red (air switch operation)	1
48)	#GFP30186260	Air Switch (set point @ .65WC) GROTUBE PC75 & 100	1
48a)	#GFP30186270	Air Switch (set point @ .34WC) GROTUBE PC125 & 150	1

GROTUBE Body Components

Key	Item#	Description
1)	#GFP02266010	Reflector Speed Clip
2)	#GFP43980010	Wire Hanger
3)	#GFP42873000	U Bolt Clamp, 4 OD Tube
4)	#GFP02127110	5/16-18 Hex Nut (2 per U Bolt)
5)	#GFP43318000	Tube Support/Hanger Bracket, 13"
6)	#GFP43319100	Reflector, 9' - 11-1/2" long (10' section only; 1 per 10 ft. body section)
7)	#GFP43320000	End Reflector
8)	#GFP42921000	Tube Flange Gasket
9)	#GFP44028170	10' Tube Assembly Kit, 4 OD, ATC steel with one 6-hole flange (start tube)
10)	#GFP44028100	10' Tube Assembly Kit, 4 OD, HRS steel w/o flanges (extension tube)
11)	#GFP44028060	10' Tube Assembly Kit, 4 OD, ALC steel w/o flanges (extension tube)
12)	#GFP02189020	#10 x 1/2 Self-Drilling Screw
13)	#GFP30462980	4 OD Tube Compression Coupling w/bolts
14)	#GFP43208020	4 OD U-Bend (optional)
15)	#GFP43488000	U-Bend Reflector (optional)
16)	#GFP30504500	Flue Adapter Collar
17)	#GFP44152240	Turbulator



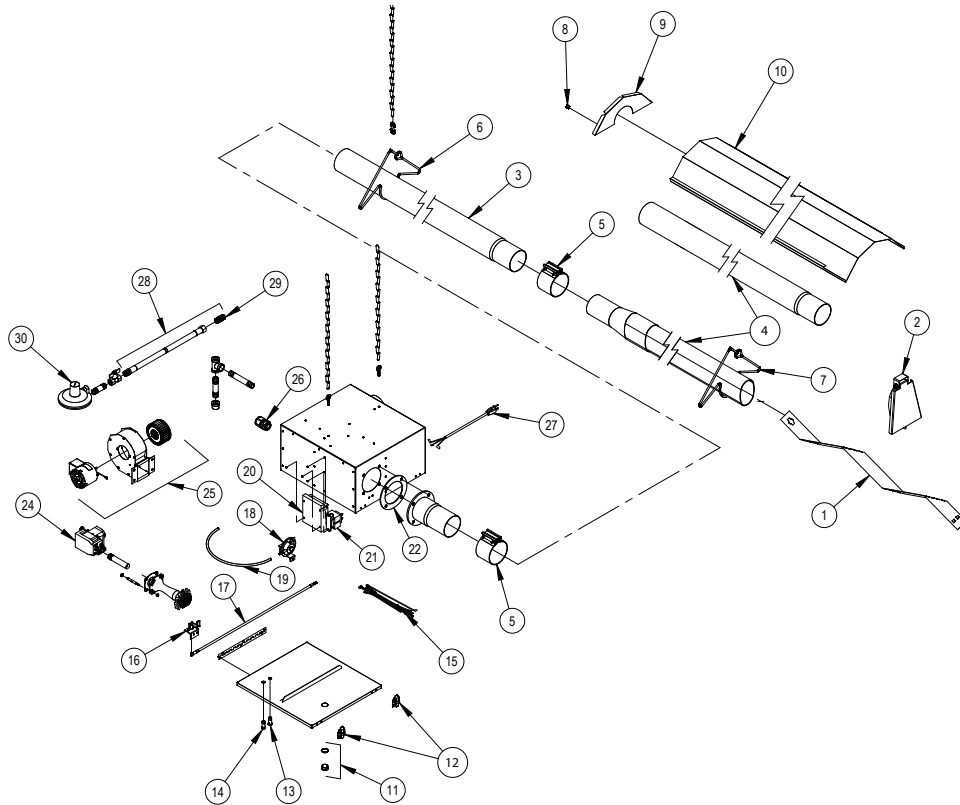


Sentinel® v.2

- 40 foot and 50 foot tube lengths
- Heat output ratings from 125,000 to 150,000 Btu/h
- Natural gas or liquid propane gas models
- Choose from single stage or two stage models
- Dependable spark ignition



#LB125CSND220140125,000 Btu, 40', Sg Stage, NG	#LB150BSPD210141150,000 Btu, 50', Two Stage, LP
#LB125CSND220141125,000 Btu, 50', Sg Stage, NG	#LB150CSND220142150,000 Btu, 50', Sg Stage, NG
#LB125CSPD210140125,000 Btu 40', Two Stage, LP	#LB150CSND220198150,000 Btu, 40', Sg Stage, NG
#LB125CSPD220140125,000 Btu, 40', Sg Stage, LP	#LB150CSPD220142150,000 Btu, 50', Sg Stage, LP
#LB125CSPD220141125,000 Btu , 50', Sg Stage, LP	#LB150CSPD220198150,000 Btu, 40' Sg Stage, LP



Replacement Parts

Key	Item#	Description
1	LB572892	Air turbulence strip (2 for Oval 80 and 3 for Sentinel)
2	LB572886	Vent cap
3	LB573887	Tube, stainless steel, 4" x 10', w/clamp (Sentinel 150/40' only)
	LB573010	Tube, aluminized, 4" x 10', w/clamp, (All other Sentinel)
	LB572894	Tube, aluminized, 3" x 10', w/clamp, Oval 80
4	LB573011	Tube, uncoated, 4" x 10', round w/clamp, Sentinel
	LB572893	Tube, oval with clamp, Oval 80
5	LB573009	Clamp, 4 in., round, Sentinel
	LB572842	Clamp, 3 in. round, Oval 80
6	LB573004	Hanger, 4 in. round tube
	LB572852	Hanger, 3 in. round tube
7	LB572870	Hanger, oval tube
8	LB572868	U-clips (4)
9	LB572869	End cap with 4 u-clips
10	LB572895	Reflector, with end cap and u-clips
11	LB570002	Window plug with o-ring
12	LB572867	Latches and strike
13	LB571333	Red LED
14	LB572813	Amber LED

Key	Item#	Description
15	LB573681	Wire harness
16	LB500-24972	Ignitor with bracket
17	LB572847	Ignition cable
18	LB573682	Air differential pressure switch
19	LB572883	Tube, air differential pressure switch
20	LB500-25865	Ignition Control
21	LB573697	Transformer
22	LB573006	Gasket, burner
24	LB522076	Gas control valve, Single Stage, LPG
	LB522078	Gas control valve, Single Stage, NG
	LB572350	Gas control valve, Two Stage, LPG, Model AT100
	LB572352	Gas control valve, Two Stage, LPG, Models AT125/AT150
25	LB572884	Motor with fan housing assembly
26	LB550-22571	Connector w/ plug
27	LB572865	Power cord with connector
28	LB550-20713	Hose, 6 ft., 1/2 ID. w/adaptor, rigid x swivel
29	LB500-25873	Adapter, 1/2 NPT x 1/2 NPS
31	LB572896	Complete gasket kit for burner box (Not illustrated)

Solaira™

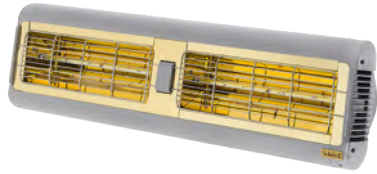
Alpha Series Heaters produce short wave length infrared that convert 85% of consumed energy to instant, controllable, directional heat.

Solaira Alpha Series electric infrared heaters offer a practical solution to heating enclosed areas without dangerous gas emissions. Perfect for stables, kennels, garages, and wash bays. Alpha Series Heaters are engineered to meet IP55 standard for water spray so they can be installed in both wet (outdoor) and dry conditions (indoor or outdoor).

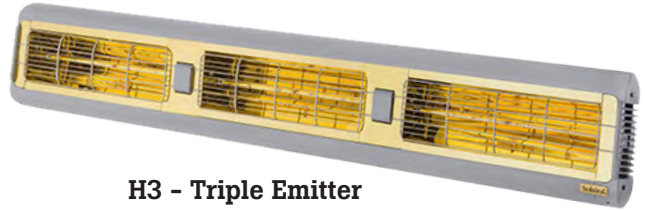
- Powder coated aluminum body and mounting brackets, stainless accessories
- Indoor or outdoor rated for wet or dry conditions
- Rain, snow and spray resistant
- No CO₂ or NO_x emissions
- Up to 8,000 hour emitter life



H1 - Single Emitter

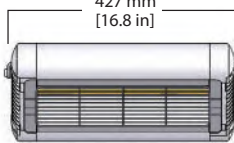
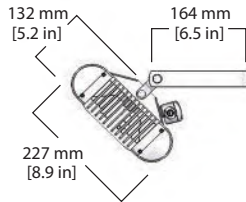


H2 - Double Emitter



H3 - Triple Emitter

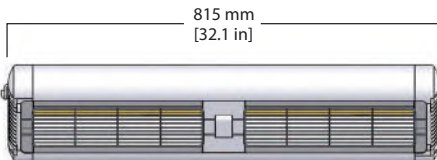
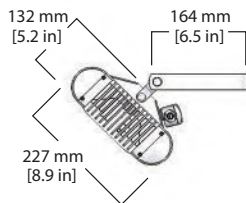
Item#	Description	Total Watts	Voltage	Amps	Minimum Height from Floor	Color
SALPHA15120S	H1 - Single Emitter	1500	120	12.5	79"	Silver/Grey
SALPHA15240S	H1 - Single Emitter	1500/1125	208-240	6.3/5.4	79"	Silver/Grey
SALPHA20240S	H1 - Single Emitter	2000/1500	208-240	8.3/7.2	79"	Silver/Grey
SALPHAH2-30240S	H2 - Double Emitter	3000/2250	208-240	12.5/10.8	98-1/4"	Silver/Grey
SALPHAH2-40240S	H2 - Double Emitter	4000/3000	208-240	16.7/14.4	98-1/4"	Silver/Grey
SALPHAH3-60240S	H3 - Triple Emitter	6000/4500	208-240	25/21.6	120"	Silver/Grey



Single Emitter

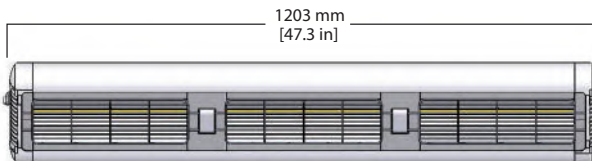
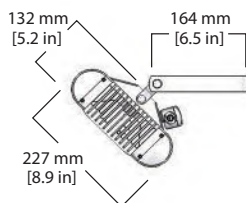
SPECIFICATIONS

Weight 7.5 lbs [3.4 kg]



H2- Double Emitter

Weight 12.3 lbs [5.6 kg]



H3- Triple Emitter

Weight 17.6 lbs [8.0 kg]



Heat Bulbs

Infrared clear bulb, 120-volt with brass medium screw base.

- #HS54413 125 W Bulb
- #HS54412 250 W Bulb



Dimpled Heat Bulbs

Heavier glass construction with dimpled face.

- #HS544152 100 Watt Bulb
- #HS544153 125 Watt Bulb



Hard Glass Bulbs

Hard dimpled glass resists water and shock. Medium skirted brass base protects the bulb neck. Energy saving 100-watt and 175-watt models equal the heat output from higher wattage bulbs.

- #HS544131 100 W
- #HS544132 175 W



PHILIPS Heat Lamps

- Uses 30% less energy
- 100-watt bulb has same output as competitor's 125-watt bulb
- Hard-dimpled glass
- Rugged construction with medium brass base - built to resist water & shock
- 5,000-hour rating
- Long-life usage at 120 V
- Dimmable output
- Adjust it to your application's needs

- #544131 Philips Heat Lamp, 100 W
- #544132 Philips Heat Lamp, 175 W



SLI Heat Bulbs

- Dimpled face
- Heavier glass construction
- Energy saving 100 & 175 wattage

- #544152 Bulb heat lamp 100W, 120V
- #54415 Bulb heat lamp 175W, 120V



Standard Heat Lamps

- 110 V
- Aluminum shade, wire guard
- Porcelain socket
- 8'-long, 18-gauge cord
- Box of 10

- #54411 Heat lamp complete
- #54419 Porcelain socket
- #54420 8' lamp cord, replacement

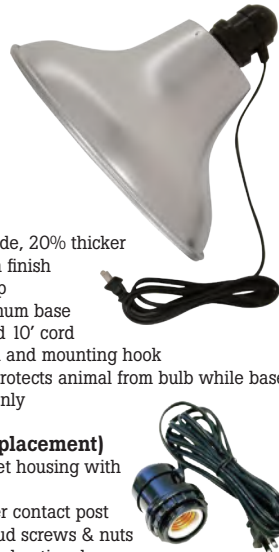
Monoflo® Heavy Duty Heat Lamps

- Aluminum spun shade, 20% thicker
- 22 gauge with satin finish
- Separate hanger clip
- Heavy gauge aluminum base
- Porcelain socket and 10' cord
- Flexible rubber cord and mounting hook
- Sturdy bulb guard protects animal from bulb while base distributes heat evenly

Heat Lamp Kit (replacement)

- Fully enclosed socket housing with retaining ring
- Spring loaded center contact post
- Brass connecting stud screws & nuts
- 3 prongs with ground optional

- #544111 Heat lamp holder
- #5441112 Heat lamp kit



Adjusta Heat

- Larger heat pattern option
- Extra heavy-duty high-impact polypropylene housing
- Adjustable bulb height built into housing
- Hanger attaches to housing
- UL Approved
- Satisfaction guaranteed
- 2-Year warranty

- #ADJHEAT Adjusta Heat
- #ADJELCORD8 Socket Cord



HOG SLAT® Poly Lamp

Durable polypropylene lamps will not corrode or dent and flexible sides cushion bulbs from breakage. Polypropylene formulation contains UV stabilizers for longevity. Poly Lamp carries an UL listing. 120-volts with 250-watt maximum rating. Extended three-year warranty.



Nine-foot, ungrounded cord set includes poly hanger clip and the shade includes a wire hanger for additional hanging options. Also available with 12' cord set.



Two-piece fixture screws together on the shade top, instead of bolting, to reduce breakage. Rigid nylon fixture eliminates cord twist when replacing bulbs and the porcelain socket resists heat damage better than plastic.

- #HS664 Poly Lamp, 9' cord
- #HS664E Poly Lamp, 12' cord
- #HS664HW Poly Lamp, 12' cord, hardwired model
- #HS664-1 Shade
- #HS664-4 Metal Hanger
- #HS664-5 Plastic hanger
- #HS664-9 Cord set & fixture assy, 9'
- #HS664-12 Cord set & fixture assy, 12'



Disposable Mats Designed to Break the Disease Cycle in Farrowing and Weaned Pigs

Disease organisms can remain in traditional rubber mats even after washing and disinfecting. Single use Compost-A-Mats break this disease cycle by using a fresh mat for every group. Manufactured from cornstalks and wood fibers, the mats are then heated treated at 400° to destroy any pathogens. Compost-A-Mat eliminates the chore of cleaning, disinfecting and hauling heavy rubber mats in and out of buildings. Simply remove the biodegradable mats for composting or as feedback material to gestating sows.

FARROWING



#MS1000

- Weight: 2 lbs.
- Mat life: up to 7-21 days
- Color: Green
- Size: 30" x 36"
- Pallet Quantity: 400

WEANING



#MSWF48

- Weight: 10 lbs.
- Mat life: up to 21 days
- Color: Tan
- Size: 4' x 8'
- Pallet Quantity: 114



Stanfield® Heat Pads

Delivering safe, efficient heating to animals since 1973

- Tough, wear resistant fiberglass reinforced composite pad
- 10' power cord
- 120 Volt
- Order Cord Shield OFH-00F152 with heat pads as extra protection for power cords.



1-Litter Farrowing Heat Pads

- #OFH-RS1B30-1 1 x 3 ft., 80 W
- #OFH-RS1B40-1 1 x 4 ft., 100 W



2-Litter Farrowing Heat Pads

- #OFH-RS2B30-1 2 x 3 ft., 160 W
- #OFH-RS2B40-1 2 x 4 ft., 200 W



24-inch Cord Protector

- #OFH-00F152 24" Cord Protector

Kane Heat Mats

- Easy-to-clean, durable Polyethylene construction
- 120 Volt
- Includes power cord

Single Heat Mats

- #PHMS36 13.5" W x 36" L
- #PHMS60 13.5" W x 60" L
- #PHMS45 18" W x 45" L
- #PHMS57 18" W x 57" L

Double Heat Mats

- #PHMD60 27" W x 60" L



MicroZone



MicroZone Control

- #MC100 MicroZone Control



MicroZone Power Modulator

- #MPM100 MicroZone Power Modulator



MicroZone Power Supply 110V

- #MPS100 MicroZone 110V Power Supply



MicroZone Temperature Sensor

- #TS3 MicroZone Temp Sensor

Mat Controls

For use in controlling heat mats in dog kennels and whelping pens. Not for use in highly corrosive areas.

KRP 235

- Electronic Temp Controller
- Thermostatic control that maintains temps between 680-950 F
- Unique safety shut-off protector activates at 110° F



- #KRP235 500 W 110 V

KMHR 300

- Dial-A-Temp
- Manual variable control of heat pads



- #KHMR-300 300 W 110 V



Slat Mats

• A high density plastic mat that is placed under the feeder to protect new slats or stop concrete erosion on older slats.

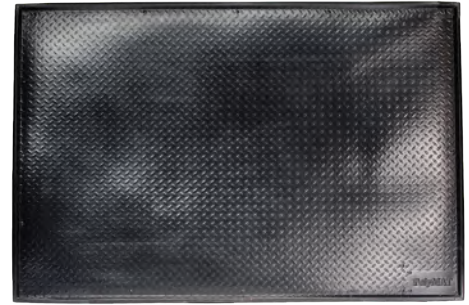
- #HS10064..... 46-3/4" x 3'
- #HS10065..... 46-3/4" x 4'
- #HS10066..... 46-3/4" x 5'
- #HS100655..... 46-3/4" x 6'



Gro-Loc Fasteners

- Complete assembly includes 3/8" x 4" stainless steel bolt & washer
- Remains firmly locked and can be retightened
- Packaged in boxes of 100

- #GRO-LOC..... Gro-Loc fasteners
- * Excessive torque on this product may cause slat damage



PolyMAT

Lightweight 4' x 6' weaning mat weighs only 17 lbs. Non-porous polyethylene construction features diamond-shaped pattern for superior traction. Also formed with a 1" feed saver lip to prevent loss of expensive starter feed.

- #PM-1 PolyMAT wean/finish mat 3' 9-1/2" x 6'



Rubber Wean to Finish Mats

- Reduce mortality
- Keep pigs dry
- Provide great traction
- Easy to clean
- 48" wide x 72" long with a 1/2" tall feed saver lip
- 4 reinforced hand holds are bordered by a 1/4" tall lip to prevent loss of expensive starter feeds
- Can be hung by hand holds to simplify storage
- Provides a comfort area for up to 35 pigs

- #544187F 48" x 72", 1/2" lip



Mat Hanger

Neatly stores mats up out of the way between groups. Galvanized steel construction with braces to rafters. Hanger brackets are 17" apart.

- #2040770100 Mat Hanger



Rubber Wean Mats

- Perfect for starting young piglets on feed
- 39" x 39" with 1/2 inch lip & handles

- #544186F Wean to finish mat



Rubber Creep Mats Extended Tabs w/o Lip

100% rubber creep mats with extended creep panel tabs and no lip around the edge. Raised ribs provide additional traction for young pigs.

- #544182 Double, 26" x 42"
- #544183 Single, 21" x 42"



Rubber Creep Mats

- Each mat covers two crates
- Raised tabs to keep them from moving
- Rugged mat can also be used in nursery
- Premium rubber mats with interwoven fibers

- #54417F 28-1/4" x 40" w/feed saver lip
- #54418F 28" x 42" without lip

Get a Tougher Slat Mat!

ARMOR-ROCK Epoxy Overlay is the Ultimate Slat Protection!

Use as a top coating on new or repaired slats instead of plastic mats around feeders and waterers. The Armor-Rock Kit will get you started: 1.5 lbs of two part epoxy, 25 lbs. of Admix sand and 25 lbs. of broadcast topping sand.



Before.

After.

- #AC133-AR Armor-Rock Kit